



# Solenoid valve 3/2 way N.C. Direct acting Explosion proof - Atex Ex d

31AN1EIV10  
÷  
31AN2EIV30

## PRESENTATION:

Direct acting S.V. for interception of fluids compatible with the construction materials. Aluminium coil housing, explosion proof "Ex d". Electrical and electromechanical components according to Atex Directive 94/9/CE

Minimum operational pressure is not required.

The materials used and the tests carried out ensure maximum reliability and duration.

**USE:** Potentially explosive atmospheres  
Zone 1, 2, 21, 22

**PIPES:** 1/8 NPT - 1/4 NPT

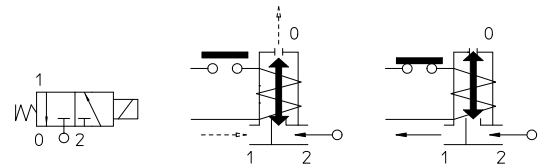
**COIL:** 8W - Ø 13  
BDA 155°C (class F)

Max. allowable pressure (PS) 40 bar  
Housing ambient temperature - 40°C + 60°C



Gaskets	Temperature		Medium
V=FKM (fluoroelastomer)	- 10°C	+ 80°C	Mineral oils (2°E), gasoline gas oil, fuel oils (7°E))
F=H-NBR (hydrogenated nitrile)	- 30°C	+ 80°C	Air, inert gas, water R 134a, R 404a

For seals other than FKM replace the letter "V" with the ones corresponding to the other seals. E.I. 31AN1EIF20.



Pipe ANSI/ASME BI.20.1	Code	Max viscosity		Ø mm	Kv l/mn	Power watt	Pressure				
		cSt	°E				min bar	M.O.P.D.			
								AC bar	DC bar		
1/8 NPT	31AN1EIV10	12	~ 2	1*	0,45	8	0	20	20		
	31AN1EIV15			15				15			
	31AN1EIV20	37	~ 5	2*	2			10	10		
	31AN1EIV25			53	~ 7			2,5*	3,2	6	6
	31AN1EIV30							3*	4	5	5
1/4 NPT	31AN2EIV10	12	~ 2	1*	0,45			20	20		
	31AN2EIV15			15				15			
	31AN2EIV20	37	~ 5	2*	2			10	10		
	31AN2EIV25			53	~ 7			2,5*	3,2	6	6
	31AN2EIV30							3*	4	5	5



(According to Directive 94/9/CE ATEX )  
II 2G Ex d IIC T6 o T5 Gb  
II 2D Ex tb IIIC T80°C o T95°C Db IP67

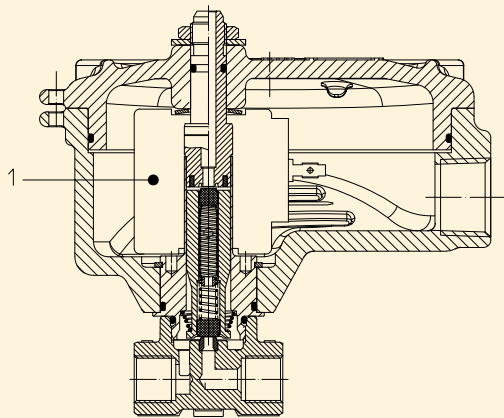
## Note

Available on request and with minimum quantities.

\* 3rd way exhaust= Ø 3 mm

Also available with brass body without lead.

The "ODE" reserves the right to carry out technical and aesthetic modifications without prior notification.



**MATERIALS:**

**Body** Brass - UNI EN 12165 CW617N  
**Armature tube** Stainless steel AISI series 300  
**Fixed core** Stainless steel AISI series 400  
**Plunger** Stainless steel AISI series 400  
**Phase displacement ring** Copper - Cu 99,9%  
**Spring** Stainless steel AISI series 300  
**Seal** Standard: V=FKM  
 On request: F=H-NBR  
**Orifice: Insert slot** Stainless steel AISI series 300  
**Housing** Aluminium die cast

**Connector conformity** ISO 4400

**FEATURES:**

**Electrical conformity** IEC 335  
**Protection degree** IP 65 EN 60529 (DIN 40050)  
 with hosing fitted by cable gland  
 Atex Ex d.

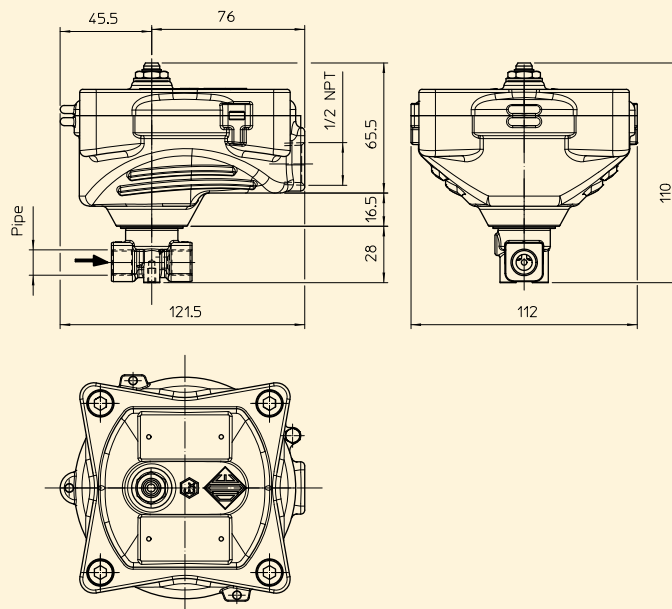
**SPARE PARTS:**

- 1. Coil:**  
 BDA08012CS  
 BDA08024CS  
 BDA08024DS  
 BDA08048AS  
 BDA08048CS  
 BDA08110CS  
 BDA08110DS  
 BDA08223DS

**ACCESSORIES:**

Code P992219 Cable Gland  
 (to be ordered separately)

**DIMENSIONS:**



COIL TYPE	POWER ABSORPTION		
	W ---	Hold VA ~	Inrush VA ~
B	8	14,5	25