



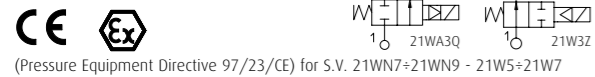
FEATURES

- ▶ Wide range of applications high flow valves for liquids, gaseous
- ▶ Reliable proven design with high flows
- ▶ Small poppet valve for tight shutoff
- ▶ Mountable in any position

TECHNICAL SPECIFICATION

- ▶ **Body material:** Brass UNI EN 12165 CW617N
- ▶ **Armature tube:** Stainless Steel AISI 300 series
- ▶ **Plungers:** Stainless Steel AISI 400 series
- ▶ **Spring:** Stainless Steel AISI 300 series
- ▶ Ex d Housing in Aluminium die cast
- ▶ **Media:** mineral oils, gasoline, diesel, air, inert gases, water, R 134a, R 404a
- ▶ **Ex m Ambient temperature:** See coils catalogue page for its compatibility
- ▶ **Ex m Fluid temperature:** -10°C +80°C with FKM seals
-30°C +80°C with H-NBR seals
- ▶ **Design pressure PS:** G 3/4 - 1 25 bar
25 bar for 21WA3Q ÷ 21WA4Q
20 bar for 21WA3KI ÷ 21WA4KI
21WA3ZI ÷ 21WA4ZI
- ▶ **Ex d Ambient temperature:** -40°C +60°C
- ▶ **Ex d Housing Fluid temperature:** -10°C +80°C with FKM seals

- ▶ **Protection class:** Ex m IP 65 (complete with electric plug); Ex IP 65 (with hosing fitted by cable gland Atex Ex d)
- ▶ **Electrical conformity:** IEC335
- ▶ **Switching time:** 20-40 msec (depending on pressure conditions)
- ▶ (Conforme to Atex Directive 94/9/CE ATEX)
- For S.V. 21W..I
II 2G Ex d IIC T6 o T5 Gb
II 2D Ex tb IIIC T80°C o T90°C Db IP67 (Tamb: -40°C ≤ +60°C)
- For S.V. 21W..Q
II 2G Ex mb IIC Gb
II 2D Ex tb IIIC t130°C Db



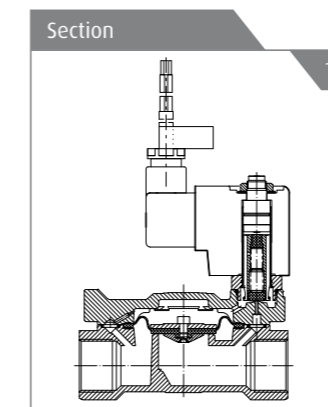
21WA	3	QD	V	130	
Model valve	3= G 1/8	QD N.C. Ex m	V= FKM	130	Orefice 10 ⁻¹ mm
	4= G 1/2 T		F= H-NBR	190	
	5= G 3/4			250	
	6= G 1			350	
				400	
				500	

B	D	A	08	012	C	S
B= 30mm Ø 13	D EN 175301-803	A= Class F	08= 8W	012= 12V 024= 24V 048= 48V 110= 110V 223= 220V-230V	C= DC D= AC	S= Without Approval(*)

(*) Ex d protection class when assembled with Ex housing

21W3	3	KI	B	190	
Model valve	3= G 1/8 - 3/8 NPT	KI N.C. Ex d	B= NBR	130 190 250 350 400 500	Orefice 10 ⁻¹ mm
	4= G 1/2 - 1/2 NPT	ZI N.O. Ex d	E= EPDM		
	5= G 3/4 - 3/4 NPT		F= H-NBR		
	6= G 1 - 1 NPT		V= FKM		
	7= G 1 1/4 - 1 1/4 NPT				
	8= G 1 1/2 - 1 1/2 NPT				
9= G 2 - 2 NPT					

T	N	A	4X	024	D	4
T= 36mm Ø 14,5	N 3 cables cm 300	A= Class F	4X= 7,2V 5X= 9,13V 05= 7,7V-9,2V 10= 10W	024= 24V 110= 110V 224= 220V-240V 024= 24V	D= AC C= DC	4= Ex m T4

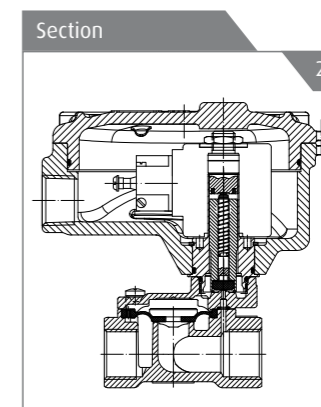


REPAIR KIT

For spare parts please consult our technical department

Coil P/N Ex mb II T 4

- RTNA4X024D4
- RTNA5X110D4
- RTNA05224DA
- RTNA10024C4



REPAIR KIT

For spare parts please consult our technical department

ACCESSORIES

Code P992219 Cable Gland (to be ordered separately)

INSTALLATION

- ▶ The solenoid valves can be mounted in any position
- ▶ Maintenance and instruction sheet available in each solenoid valve box
- ▶ Attention: for fuse selection please refer to the "Instruction sheet Atex products" delivered together with the valve
- ▶ Fixing holes
- ▶ Holes and threaded connections for panel fixing

PIPE	Ø (mm)	Kv (l/min)	MAX VISCOSITY cSt (°E)	PRESSURE min	PRESSURE MAX MOPD (bar)				GAS CODE	NPT CODE	FLOW CURVE
					COIL TYPE						
					AC		DC				
T	B	T	B								

Normally Closed Ex m

G 3/8	13	60	12(2)	0,2	16	-	16	-	21WA3QDV130		1
G 1/2	13	70	12(2)	0,2	16	-	16	-	21WA4QDV130		1
G 3/4	19	140	12(2)	0,2	16	-	16	-	21W3QDV190		1
G 1	25	190	12(2)	0,2	16	-	16	-	21W4QDV250		1
G 1 1/4	35	400	12(2)	0,2	16	-	16	-	21W5QDV350		1
G 1 1/2	40	520	12(2)	0,2	10	-	10	-	21W6QDV400		1
G 2	50	750	12(2)	0,2	10	-	10	-	21W7QDV500		1

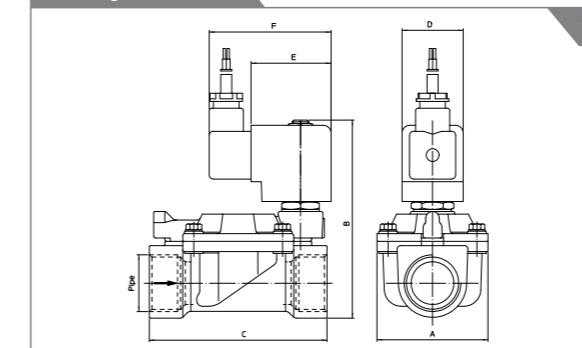
Normally Closed Ex m

3/8"	13	60	12(2)	0,2	-	16	-	16	21WA3KIB130	21WN3KIB130	2
1/2"	13	70	12(2)	0,2	-	16	-	16	21WA4KIB130	21WN4KIB130	2
3/4"	19	140	12(2)	0,2	-	16	-	16	21W3KIB190	21WN5KIB190	2
1"	25	190	12(2)	0,2	-	16	-	16	21W4KIB250	21WN6KIB250	2
1/4"	35	400	12(2)	0,2	-	10	-	10	21W5KIB350	21WN7KIB350	2
1/2"	40	520	12(2)	0,2	-	10	-	10	21W6KIB400	21WN8KIB400	2
2"	50	750	12(2)	0,2	-	10	-	10	21W7KIB500	21WN9KIB500	2

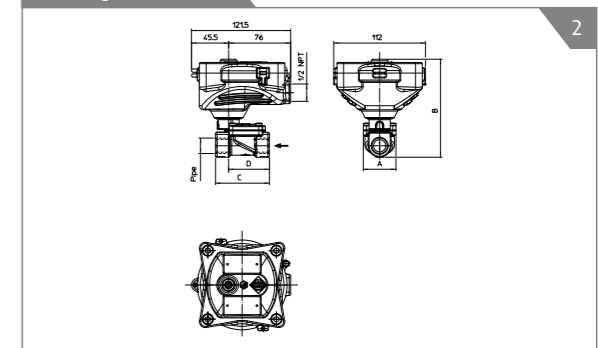
Normally Open Ex m

3/8"	13	60	12(2)	0,2	-	16	-	16	21WA3ZIB130	21WN3ZIB130	2
1/2"	13	70	12(2)	0,2	-	16	-	16	21WA4ZIB130	21WN4ZIB130	2
3/4"	19	140	12(2)	0,2	-	16	-	16	21W3ZIB190	21WN5ZIB190	2
1"	25	190	12(2)	0,2	-	16	-	16	21W4ZIB250	21WN6ZIB250	2
1/4"	35	400	12(2)	0,2	-	10	-	10	21W5ZIB350	21WN7ZIB350	2
1/2"	40	520	12(2)	0,2	-	10	-	10	21W6ZIB400	21WN8ZIB400	2
2"	50	750	12(2)	0,2	-	10	-	10	21W7ZIB500	21WN9ZIB500	2

Drawing Reference



Drawing Reference



Dimensionale Table

Figure	Pipe	Coil Type	A mm	B mm	C mm	D mm	E mm	F mm
1-2	3/8	B	40	120	60	47	-	71
		T		103				
1-2	1/2	B	40	120	66	50	-	71
		T		103				
1-2	3/4	B	65	128	104	89	-	71
		T		111				
1-2	1	B	65	136	104	89	-	71
		T		118				
1-2	1 1/4	B	98	153	144	125	-	71
		T		131				
1-2	1 1/2	B	98	153	144	125	-	71
		T		131				
1-2	2	B	118	144	172	150	-	71
		T		147				

