



Modular Solenoid valve 2/2 way N.C. Direct acting

JM Series
R1 gold-plated

PRESENTATION:

Direct acting S.V. for interception of fluids compatible with the construction materials.

Minimum operational pressure is not required.

The materials used and the tests carried out ensure maximum reliability and duration..

USE: Automation, Sterilization
Vending

PIPES: G 1/8 male/female; Ø 6 (hose connection);
fast fitting

COILS: 5W - Ø 10
LBA 155°C (class F)
LBV 180°C (class H)

**COIL HOUSING AND COIL FORMER MATERIAL ARE
MADE BY 100% VIRGIN MATERIAL.**

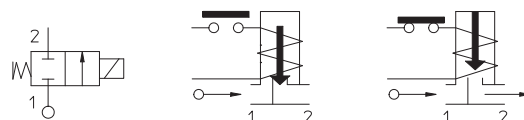
Max. allowable pressure (PS) 16 bar (25 bar)

Ambient temperature:

See coils catalogue page for its compatibility.



Gaskets	Temperature		Medium
V=FKM (fluoroelastomer)	- 10°C	+140°C	Air, water, iner gasi, steam
B=NBR (nitrile rubber)	- 10°C	+ 90°C	Water, air, inert gas



For left inlet replace the letter "A" with "B" Es. 23MB1VBDBDBD.

Pipe ISO 228/1	Std code n. 3 modules (inlet right)	Max viscosity		Ø mm	Kv l/mn	Power watt	Pressure		
		cSt	°E				min bar	M.O.P.D. AC bar DC bar	
G 1/8 male	23MA1VBDBDBD	12	~ 2	1,2	0,8	5	0	15	15
	23MA1VBEBEBE	37	~ 5	2,3	2			6	
	23MA1VBFBFBF	53	~ 7	2,6	2,5			10	3,5
G 1/8 female	23MA2VADADAD	12	~ 2	1,2	0,8	5	0	15	15
	23MA2VAEAEAE	37	~ 5	2,3	2			6	
	23MA2VAFAFAF	53	~ 7	2,6	2,5			10	3,5

Pipe ISO 228/1	Std code n. 3 modules (inlet right)	Max viscosity		Ø mm	Kv l/mn	Power watt	Pressure		
		cSt	°E				min bar	M.O.P.D. AC bar DC bar	
Ø 6 ext.	23MA3VDCDCDCD	12	~ 2	1,2	0,8	5	0	15	15
	23MA3VCECECE	37	~ 5	2,3	2			6	
	23MA3VCFCFCF	53	~ 7	2,6	2,5			10	3,5
Fast fitting	23MA4VDDDDDD	12	~ 2	1,2	0,8	5	0	15	15
	23MA4VDEDEDE	37	~ 5	2,3	2			6	
	23MA4VDFDFDF	53	~ 7	2,6	2,5			10	3,5

Note

Max torque for fittings and nut assembly 2 Nm. Evaluate tightening torque for tapered fittings.

In case glue is used to seal the fittings, verify the compatibility with body material (PPS).

Don't mount the groups with 1 or more elements cantilever.

For application with steam or with PS above the 16 bar , please consult our Technical Service.

The "ODE" reserves the right to carry out technical and aesthetic modifications without prior notification.

MATERIALS:

Body
Armature tube
Fixed core
Plunger
Phase displacement ring
Spring
Seal

PPS
Stainless steel AISI series 300
Stainless steel AISI series 400
Stainless steel AISI series 400
Gold plated copper
Stainless steel AISI series 300
Standard: V=FKM
On request: B=NBR
PPS

Orificie

On request:
Connector
Connector conformity

Pg 9 o Pg 11
ISO 4400

FEATURES:

Electrical conformity
Protection degree

IEC 335
IP 65 EN 60529 (DIN 40050)
with coil fitted by connector.

SPARE PARTS:

1. Coil:

See coils list

O-Ring for modules:

Code R990005/VX

Locker clip:

Code R453121

ACCESSORIES:

Tube (int.Ø 2 mm; ext.Ø 4mm)
for fast fitting

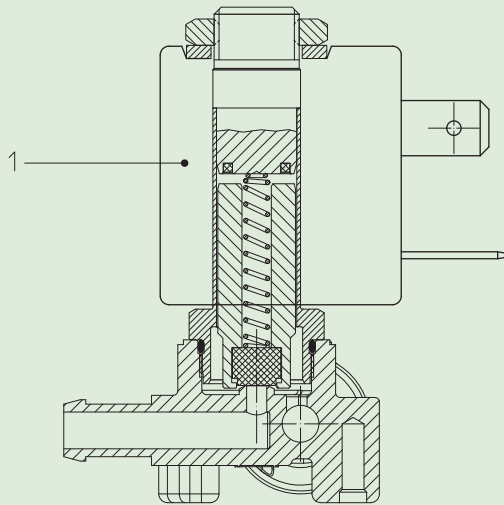
Code R453130/

Tube with male fitting

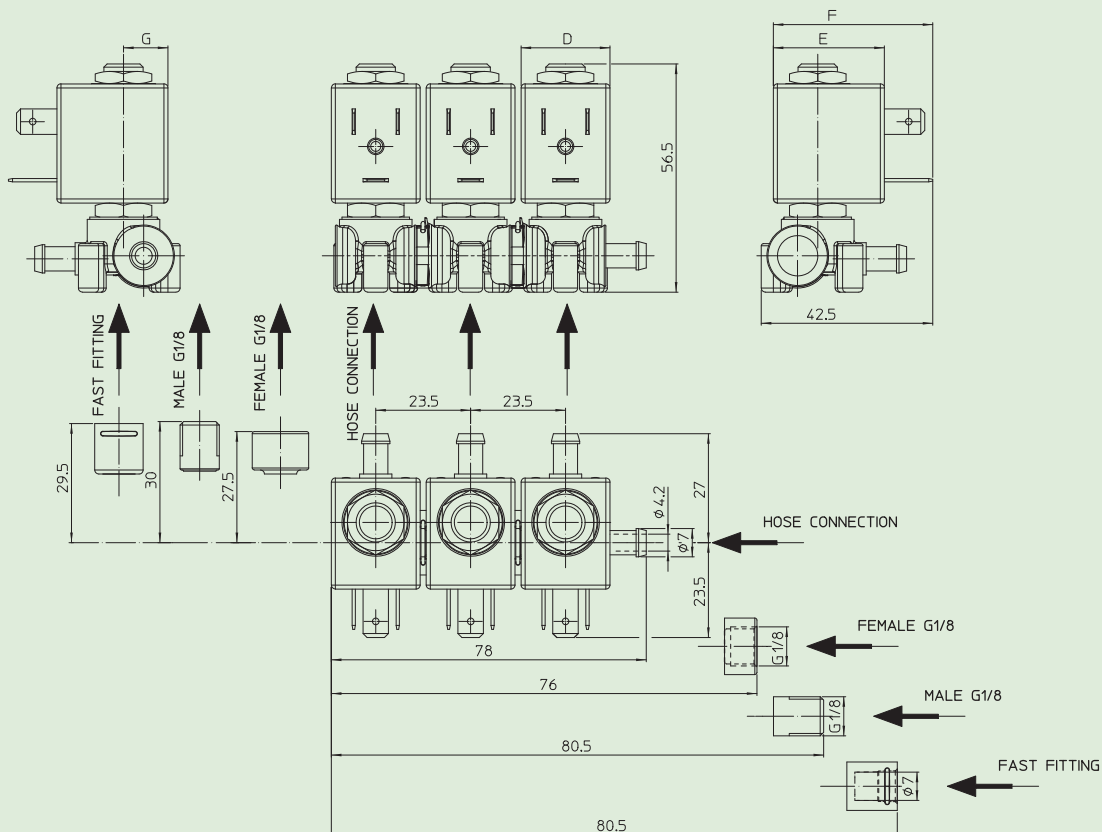
Code R453154/

Tube with double male fitting

(see catalogue page)



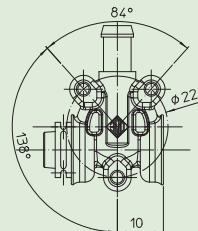
DIMENSIONS:





JM Series R1 gold-plated

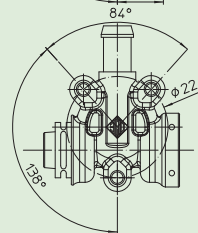
COIL TYPE	POWER ABSORPTION			DIMENSIONS			
	W ==	Hold VA ~	Inrush VA ~	D mm	E mm	F mm	G mm
L	5	10	15	22	27,5	39,5	11



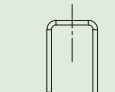
TERMINAL MODULE



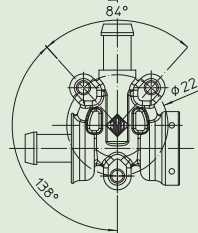
O-RING FOR MODULES
R990005/VX



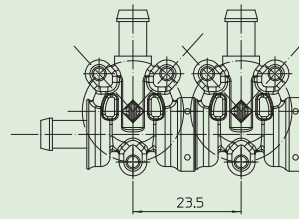
INTERMEDIATE MODULE



LOCKER CLIP
R453121



INLET MODUL



INCREMENTAL MODUL

2	3	M	A	1	V	B	D	B	D	B	D
---	---	---	---	---	---	---	---	---	---	---	---

Type of way

n. of elements
min 2 - max 4

Serial type

Inlet
A=right
B=left

Type of inlet pipe

Gasket type

Valve specification (see table)

Pipe outlet	Ø orifice	Element code
1	1,2	BD
2		AD
3		CD
4	2,3	DD
1		BE
2		AE
3	2,6	CE
4		DE
1		BF
2	AF	
3	CF	
4	DF	

Pipe code inlet / outlet			
1	G 1/8 male	3	Hose connection
2	G 1/8 female	4	Fast fitting

Description/example

2= number of way

3=n. 3 elements

M= Modular plastic series

A= Set S.V. with right inlet

1= Inlet G 1/8 male

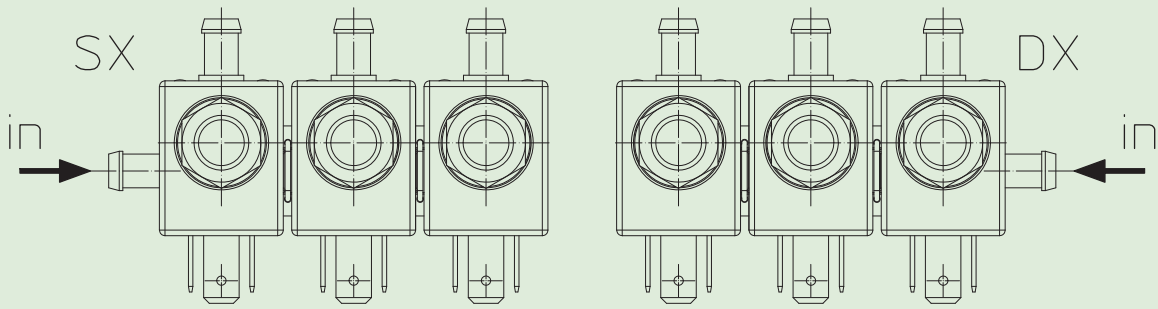
V= FKM Seal

BA= Outlet G 1/8; Ø orifice 1,2; fixed core type R1

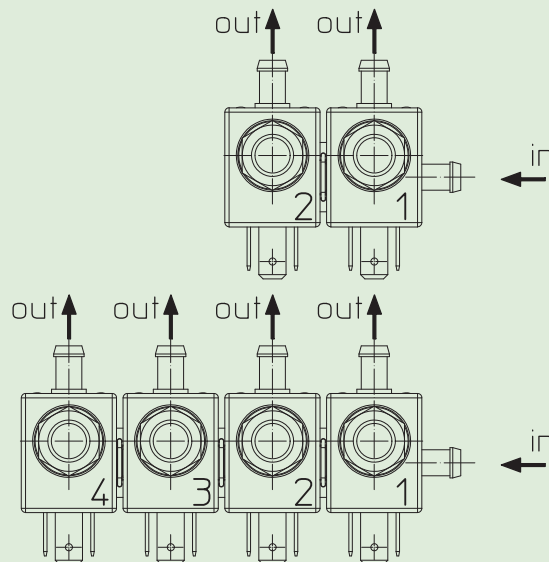
BA= Outlet G 1/8; Ø orifice 1,2; fixed core type R1

BA= Outlet G 1/8; Ø orifice 1,2; fixed core type R1

TYPE WITH LEFT AND RIGHT INLET



SET S.V. FROM N. 2 TO N. 4 S.V.



ROTATIONAL STEP TO 90°

