



Solenoid valve 2/2 way N.O. Direct acting

21AN2ZR20D-TF

PRESENTATION:

Direct acting S.V. for interception of fluids compatible with the construction materials.

Minimum operational pressure is not required.

The materials used and the tests carried out ensure maximum reliability and duration.

USE: Hot water, Heating
Steam (180°C)

PIPES: 1/4 NPT

COIL: 8W - Ø 13
BDA - BSA 155°C (class F)
BDV 180°C (class H)

COIL HOUSING AND COIL FORMER MATERIAL ARE MADE BY 100% VIRGIN MATERIAL.

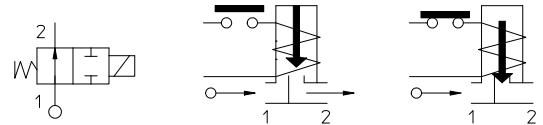
Max. allowable pressure (PS) 40 bar

Ambient temperature:

See coils catalogue page for its compatibility.



Gaskets	Temperature	Medium
R=RUBY	- 40°C + 180°C	Steam, water, mineral oils (2°E), gas oil, fuel oils (7°E)



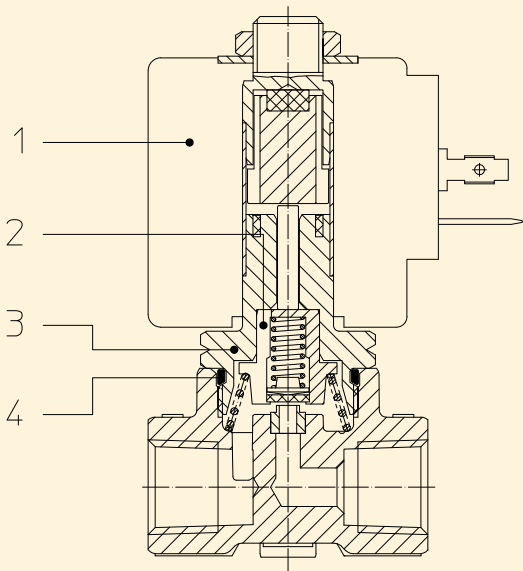
Pipe ANSI/ASME BI.20.1	Code	Max viscosity		Ø mm	Kv l/mn	Power watt	Pressure		
		cSt	°E				min bar	M.O.P.D.	
								AC bar	DC bar
1/4 NPT	21AN2ZR20D-TF	37	~ 5	2	2	8	0	30	30

Note

Available on request and with minimum quantities.

The use of rigid sealings usually implies a slight leakage, limited within 2 scc/min at the pressure of 1 bar.

The "ODE" reserves the right to carry out technical and aesthetic modifications without prior notification.



MATERIALS:

Body	Brass - UNI EN 12165 CW617N
Armature tube	Stainless steel AISI series 300
Fixed core	Stainless steel AISI series 400
Plunger	Stainless steel AISI series 400
Phase displacement ring	Copper - Cu 99,9%
Spring	Stainless steel AISI series 300
Seal	R=RUBY
Orifice: Insert slot	Stainless steel AISI series 300

On request:

Connector	Pg 9 or Pg 11
Connector conformity	ISO 4400

FEATURES:

Electrical conformity	IEC 335
Protection degree	IP 65 EN 60529 (DIN 40050) with coil fitted by connector.

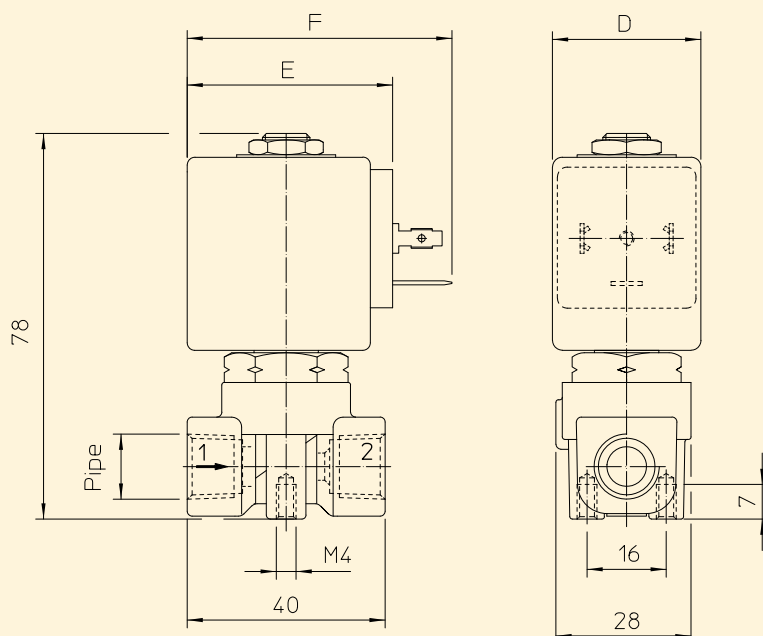
SPARE PARTS:

- Coil:**
BDV08224BU
- Complete diaphragm support:**
Code R450789
- Complete armature tube without gasket:**
Code R450573
- Gasket O-Ring:**
Code R990000/F

KIT:

KT130ZR30-FF=**2+3+4**

DIMENSIONS:



COIL TYPE	POWER ABSORPTION			DIMENSIONS		
	W ==	Hold VA ~	Inrush VA ~	D mm	E mm	F mm
B	8	14,5	25	30	42	54