



# Total separation solenoid valve 3/2 way N.O. - Direct acting

31KPAF1KRS30

## PRESENTATION:

Direct acting S.V. for interception of fluids compatible with the construction materials.

Minimum operational pressure is not required.

The materials used and the tests carried out ensure maximum reliability and duration.

**USE:** Suitable for applications sectors Vending, Medical and Chemical Industry

**PIPES:** G 1/8

**COIL:** 8W - Ø 13  
BDA - BSA 155°C (class F)  
BDV 180°C (class H)

**COIL HOUSING AND COIL FORMER MATERIAL ARE MADE BY 100% VIRGIN MATERIAL.**

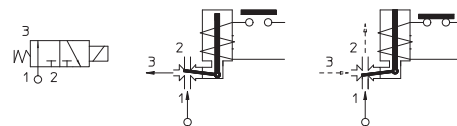
Max. allowable pressure (PS) 8 bar

Ambient temperature:

See coils catalogue page for its compatibility.



Gaskets	Temperature		Medium
	+ 2°C	+ 100°C	
S=VMQ (silikon)			Water, air and neutral fluids



Pipe ISO 228/1	Code	Max viscosity		Ø mm	Kv l/mn	Power watt	Pressure		
		cSt	°E				min bar	M.O.P.D.	
								AC bar	DC bar
G 1/8	31KPAF1KRS30	21	~ 3	3	4,5	8	0	2	2

## Note

Max torque for fittings assembly 2 Nm | In case glue is used to seal the fittings, verify the compatibility with body material (PSU).

The "ODE" reserves the right to carry out technical and aesthetic modifications without prior notice.

## MATERIALS:

<b>Body</b>	PSU (Polysulphone)
<b>Armature tube</b>	Brass - UNI EN 12164 CW614N
<b>Fixed core</b>	Stainless steel AISI series 400
<b>Plunger</b>	Stainless steel AISI series 400
<b>Phase displacement ring</b>	Copper - Cu 99,9%
<b>Spring</b>	Stainless steel AISI series 300
<b>Seal</b>	S=VMQ
<b>Orificie</b>	PSU (Polysulphone)

## On request:

<b>Connector</b>	Pg 9 o Pg 11
<b>Connector conformity</b>	ISO 4400

## FEATURES:

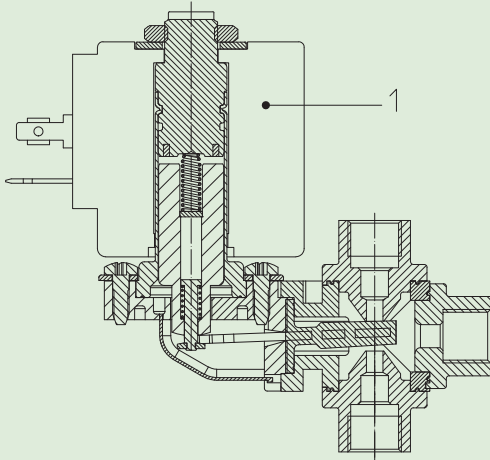
<b>Electrical conformity</b>	IEC 335
<b>Protection degree</b>	IP 65 EN 60529 (DIN 40050) if equipped with connector IP 65.

## SPARE PARTS:

- Coil:**  
See coils list

## ACCESSORIES:

Fixing bracket  
(see catalogue page)



## DIMENSIONS:

