



# Modular Solenoid valve 2/2 way N.C. Direct acting

JM Series  
R4 without copper

## PRESENTATION:

Direct acting S.V. for interception of fluids compatible with the construction materials.

Minimum operational pressure is not required.

The materials used and the tests carried out ensure maximum reliability and duration.

**USE:** Automation, Sterilization  
Vending

**PIPES:** G 1/8 male/female; Ø 6 (hose connection);  
fast fitting

**COILS:**  
5W - Ø 10  
LBA 155°C (class F)  
LBV 180°C (class H)

**.COIL HOUSING AND COIL FORMER MATERIAL ARE  
MADE BY 100% VIRGIN MATERIAL.**

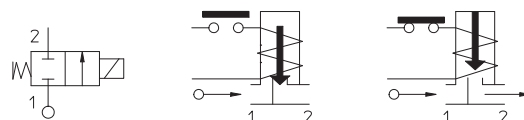
Max. allowable pressure (PS) 16 bar (25 bar)

Ambient temperature:

See coils catalogue page for its compatibility.



Gaskets	Temperature		Medium
V=FKM (fluoroelastomer)	- 10°C	+140°C	Air, water, iner gasi, steam
B=NBR (nitrile rubber)	- 10°C	+ 90°C	Water, air, inert gas



For left inlet replace the letter "A" with "B" Ex. 23MB1VBGBGBG.

Pipe ISO 228/1	Std code n. 3 modules (inlet right)	Max viscosity		Ø mm	Kv l/mn	Power watt	Pressure		
		cSt	°E				min bar	M.O.P.D. AC bar DC bar	
G 1/8 male	23MA1VBGBGBG	12	~ 2	1,2	0,8	5	0	-	15
	23MA1VBHBHBH	37	~ 5	2,3	2				6
	23MA1VBIBIBI	53	~ 7	2,6	2,5				3,5
G 1/8 female	23MA2VAGAGAG	12	~ 2	1,2	0,8	5	0	-	15
	23MA2VAHAHAH	37	~ 5	2,3	2				6
	23MA2VAIAIAI	53	~ 7	2,6	2,5				3,5

Pipe ISO 228/1	Std code n. 3 modules (inlet right)	Max viscosity		Ø mm	Kv l/mn	Power watt	Pressure		
		cSt	°E				min bar	M.O.P.D. AC bar DC bar	
Ø 6 ext.	23MA3VCGCGCG	12	~ 2	1,2	0,8	5	0	-	15
	23MA3VCHCHCH	37	~ 5	2,3	2				6
	23MA3VCICICI	53	~ 7	2,6	2,5				3,5
Fast fitting	23MA4VDGDGDG	12	~ 2	1,2	0,8	5	0	-	15
	23MA4VDHHDH	37	~ 5	2,3	2				6
	23MA4VDIDIDI	53	~ 7	2,6	2,5				3,5

## Note

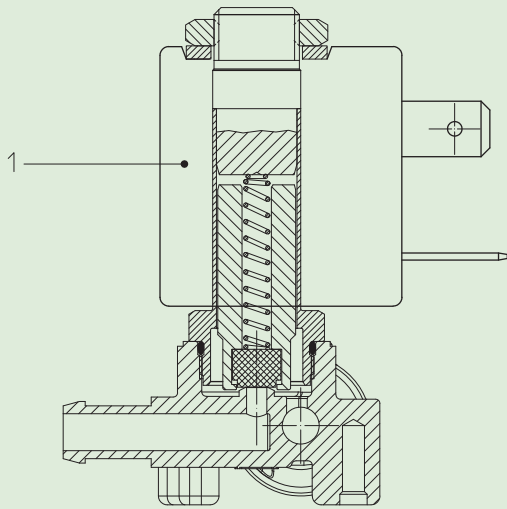
Max torque for fittings and nut assembly 2 Nm. Evaluate tightening torque for tapered fittings.

In case glue is used to seal the fittings, verify the compatibility with body material (PPS)

Don't mount the groups with 1 or more elements cantilever.

For application with steam or with PS above the 16 bar , please consult our Technical Service.

The "ODE" reserves the right to carry out technical and aesthetic modifications without prior notification.



### MATERIALS:

**Body**  
**Armature tube**  
**Fixed core**  
**Plunger**  
**Phase displacement ring**  
**Spring**  
**Seal**

PPS  
 Stainless steel AISI series 300  
 Stainless steel AISI series 400  
 Stainless steel AISI series 400  
 Gold plated copper  
 Stainless steel AISI series 300  
 Standard: V=FKM  
 On request: B=NBR  
 PPS

**Orificie**

**On request:**  
**Connector**  
**Connector conformity**

Pg 9 o Pg 11  
 ISO 4400

### FEATURES:

**Electrical conformity**  
**Protection degree**

IEC 335  
 IP 65 EN 60529 (DIN 40050)  
 with coil fitted by connector.

### SPARE PARTS:

#### 1. Coil:

See coils list

#### O-Ring for modules:

Code R990005/VX

#### Locker clip:

Code R453121

### ACCESSORIES:

Tube (int.Ø 2 mm; ext.Ø 4mm)  
 for fast fitting

Code R453130/

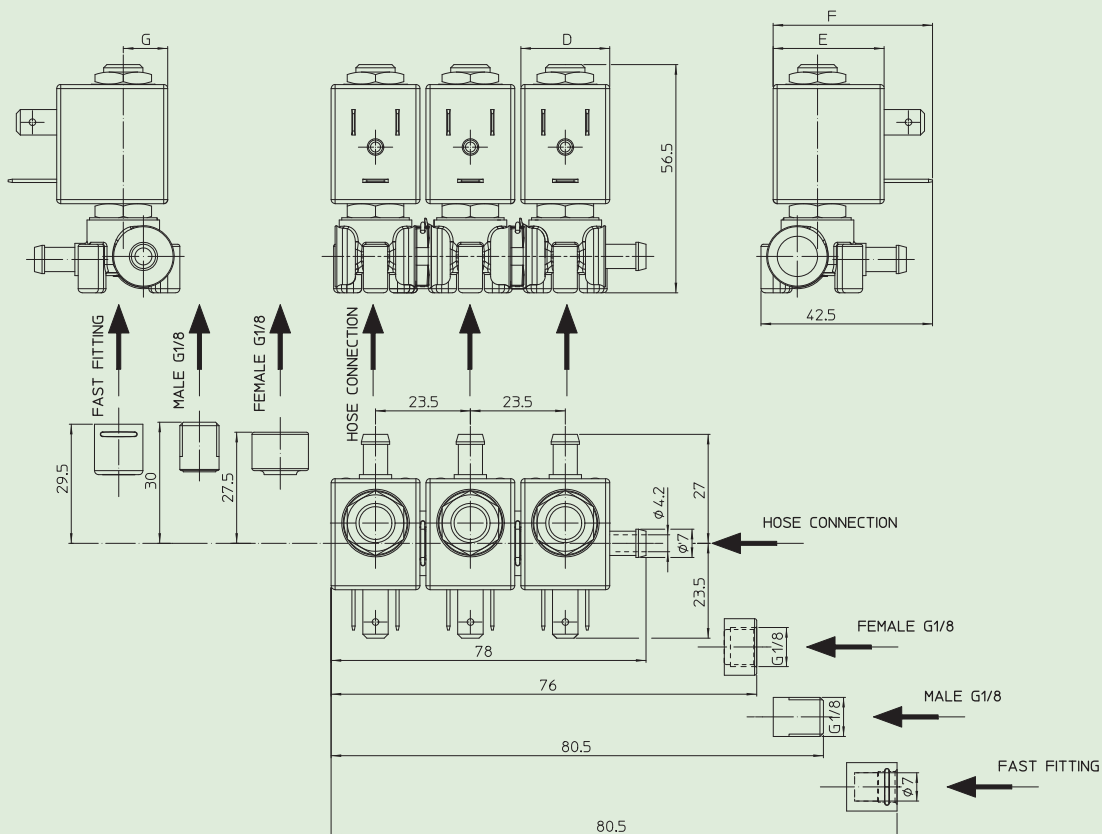
Tube with male fitting

Code R453154/

Tube with double male fitting

(see catalogue page)

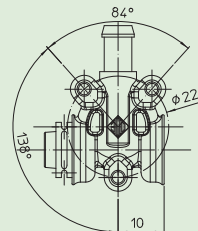
### DIMENSIONS:





# JM Series R4 without copper

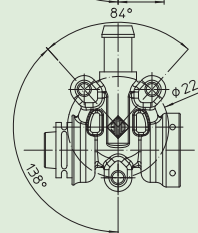
COIL TYPE	POWER ABSORPTION			DIMENSIONS			
	W ==	Hold VA ~	Inrush VA ~	D mm	E mm	F mm	G mm
L	5	10	15	22	27,5	39,5	11



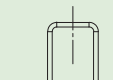
TERMINAL MODULE



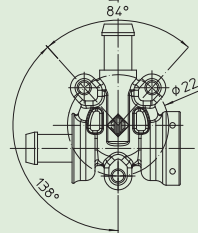
O-RING FOR MODULES  
R990005/VX



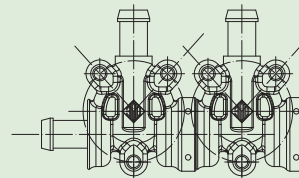
INTERMEDIATE MODULE



LOCKER CLIP  
R453121



INLET MODUL



INCREMENTAL MODUL

2	3	M	A	1	V	B	G	B	G	B	G
---	---	---	---	---	---	---	---	---	---	---	---

Type of way

n. of elements  
min 2 - max 4

Serial type

Inlet  
A=right  
B=left

Type of inlet pipe

Gasket type

Valve specification (see table)

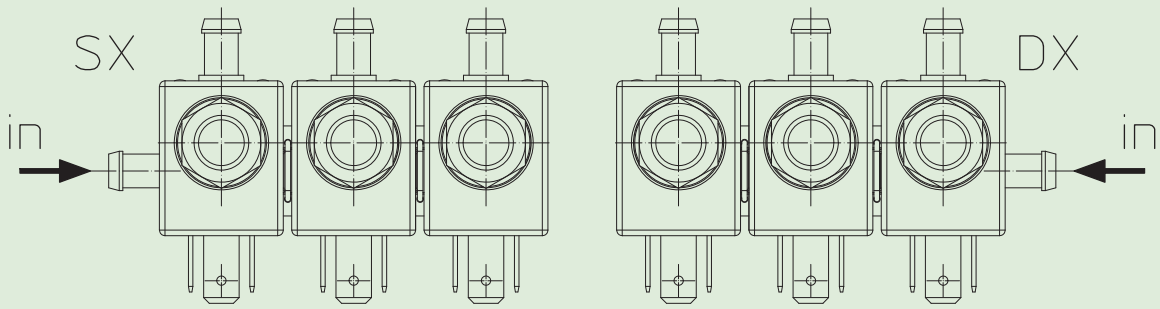
Pipe outlet	Ø orifice	Element code
1	1,2	BG
2		AG
3		CG
4	2,3	DG
1		BH
2		AH
3	2,6	CH
4		DH
1		BI
2	AI	
3	CI	
4	DI	

Pipe code inlet / outlet			
1	G 1/8 male	3	Hose connection
2	G 1/8 female	4	Fast fitting

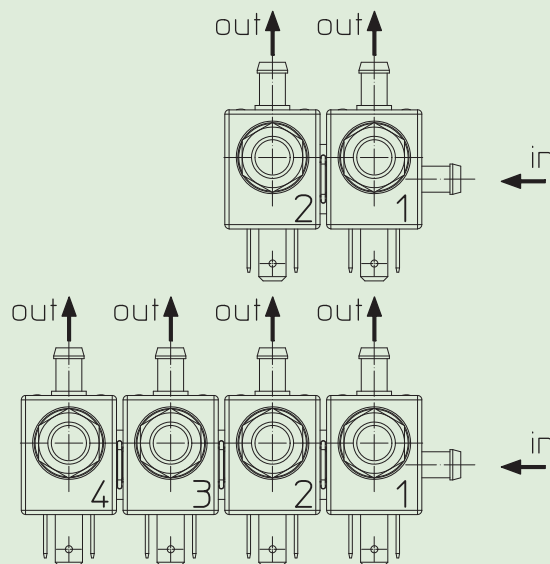
**Description/example**

- 2= number of way
- 3=n. 3 elements
- M= Modular plastic series
- A= Set S.V. with right inlet
- 1= Inlet G 1/8 male
- V= FKM Seal
- BG= Outlet G 1/8; Ø orifice 1,2; fixed core type R4
- BG= Outlet G 1/8; Ø orifice 1,2; fixed core type R4
- BG= Outlet G 1/8; Ø orifice 1,2; fixed core type R4

## TYPE WITH LEFT AND RIGHT INLET



## SET S.V. FROM N. 2 TO N. 4 S.V.



## ROTATIONAL STEP TO 90°

