



# Solenoid valve 2/2 way N.O. Direct acting

21M0AV25

## PRESENTATION:

Direct acting S.V. for interception of fluids compatible with the construction materials.

Minimum operational pressure is not required.

The materials used and the tests carried out ensure maximum reliability and duration.

**USE:** Automation - Compressors  
Heating

**PIPES:** G 1/8

**COILS:** 8W - Ø 13  
BDA - BDS - BSA 155°C (class F)  
BDF - BDV 180°C (class H)

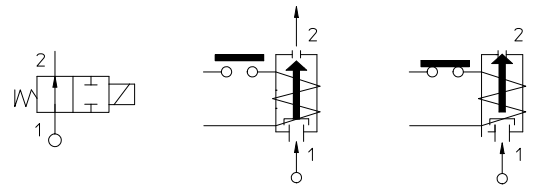
**MOULDING AND BOBBIN ARE MADE BY 100% VIRGIN MATERIAL.**

Max. allowable pressure (PS) 25 bar  
Ambient temperature:  
with coil class F - 10°C + 60°C  
with coil class H - 10°C + 80°C



Gaskets	Temperature		Medium
	- 10°C	+140°C	
V=FKM (fluoroelastomer)	- 10°C	+140°C	Mineral oils (2°E), gasoline gas oil, fuel oils (7°E)
B=NBR (nitrile rubber)	- 10°C	+ 90°C	Air, inert gas, water

For seals other than FKM replace the letter "V" with the ones corresponding to the other seals. E.I. 21M0AB25.



Pipe ISO 228/1	Code	Max viscosity		Ø mm	Kv l/mn	Power (watt)	Pressure							
		cSt	°E				min bar	M.O.P.D.						
								Gas/Air		Liquids				
								AC bar	DC bar	AC bar	DC bar			
G 1/8	21M0AV25	53	~ 7	2,5	3,5	8	0	4	18	-	18	8	-	8

The "ODE" reserves the right to carry out technical and aesthetic modifications without prior notification.

### MATERIALS:

<b>Body</b>	Brass - UNI EN 12164 CW614N
<b>Armature tube</b>	Stainless steel AISI series 300
<b>Fixed core</b>	Stainless steel AISI series 400
<b>Plunger</b>	Stainless steel AISI series 400
<b>Phase displacement ring</b>	Copper - Cu 99,9%
<b>Spring</b>	Stainless steel series 300
<b>Seal</b>	Standard: V=FKM On request: B=NBR
<b>Orifice</b>	Stainless steel AISI series 400

### On request:

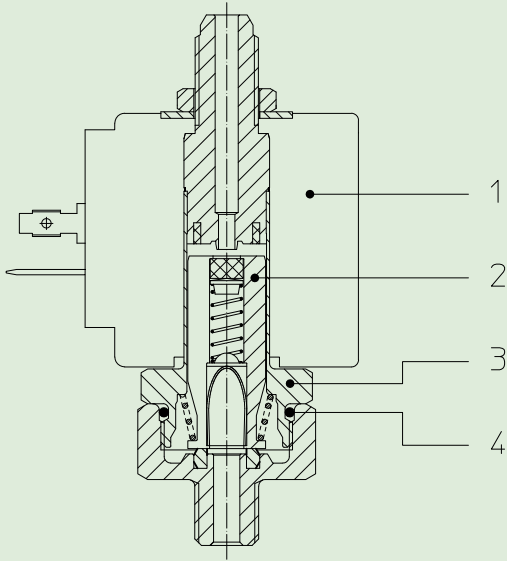
<b>Connector</b>	Pg 9 or Pg 11
<b>Connector conformity</b>	ISO 4400

### FEATURES:

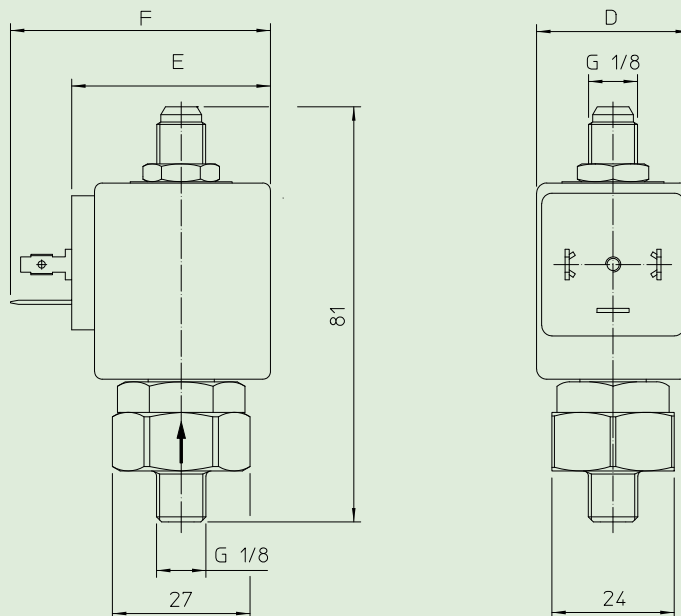
<b>Electrical conformity</b>	IEC 335
<b>Protection degree</b>	IP 65 EN 60529 (DIN 40050) with coil fitted by connector.

### SPARE PARTS:

- Coil:**  
See coils list
- Complete plunger:**  
Code R450759/V
- Complete armature tube:**  
Code R450864
- Gasket O-Ring:**  
Code R990000/V



### DIMENSIONS:



COIL TYPE	POWER ABSORPTION			DIMENSIONS		
	W ---	Hold VA ~	Inrush VA ~	D mm	E mm	F mm
B	8	14,5	25	30	42	54