



Solenoid valve 2/2 way N.O. Combined operation

21HN2Z0Y110-HT

÷

21HN5Z0Y160-HT

PRESENTATION:

Combined operation S.V. for interception of fluids compatibles with the construction materials.

Minimum operational pressure is not required.

The materials used and the tests carried out ensure maximum reliability and duration.

USE: Automation, Vacuum packaging
Heating

PIPES: 1/4 NPT - 3/4 NPT

COILS: 8W - Ø 13
BDA 155°C (class F)
BDV 180°C (class H)

COIL HOUSING AND COIL FORMER MATERIAL ARE MADE BY 100% VIRGIN MATERIAL.

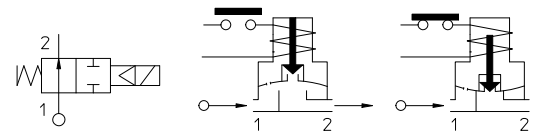
Max. allowable pressure (PS) 16 bar

Environment temperature:

See coils catalogue page for its compatibility.



Gaskets	Temperature		Medium
Y=NBR (nitrile rubber) + PA (polyamide)	- 10°C	+ 90°C	Air, gasoline, fuel oils, inert gas, water
V=FKM (fluoroelastomer) + PA (polyamide)	- 10°C	+140°C	Mineral oils (2°E), gasoline gas oil



For seals other than NBR+PA replace the letter "Y" with the ones corresponding to the other seals. E.I. 21HN3Z0V110-HT.

Pipe ISO 228/1	Code	Max viscosity		Ø mm	Kv l/mn	Power watt	Pressure		
		cSt	°E				min bar	M.O.P.D. AC bar DC bar	
1/4 NPT	21HN2Z0Y110-HT	12	~ 2	11	20	8	0	10 *	10
3/8 NPT	21HN3Z0Y110-HT								
1/2 NPT	21HN4Z0Y160-HT								
3/4 NPT	21HN5Z0Y160-HT	16	40						

Note

* To use in AC, the DC coil will be supplied with a rectifier bridge.

The "ODE" reserves the right to carry out technical and aesthetic modifications without prior notification.

MATERIALS:

- Body** Brass - UNI EN 12165 CW617N
- Armature tube** Stainless steel AISI series 300
- Fixed core** Stainless steel AISI series 400
- Plunger** Stainless steel AISI series 400
- Phase displacement ring** Copper - Cu 99,9%
- Spring** Stainless steel AISI series 300
- Seal** Standard: Y=NBR+PA
On request: V=FKM+PA
- Orifice** Brass - UNI EN 12165 CW617N

On request:

- Connector** Pg 9 or Pg 11
- Connector conformity** ISO 4400

CARATTERISTICHE:

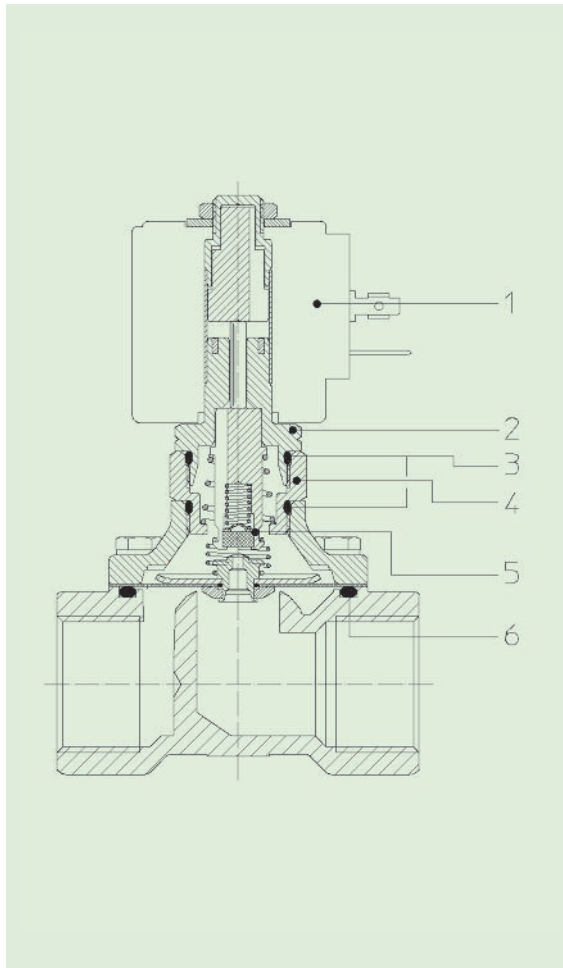
- Electrical conformity** IEC 335
- Protection degree** IP 65 EN 60529 (DIN 40050)
with coil fitted by connector.

SPARE PARTS:

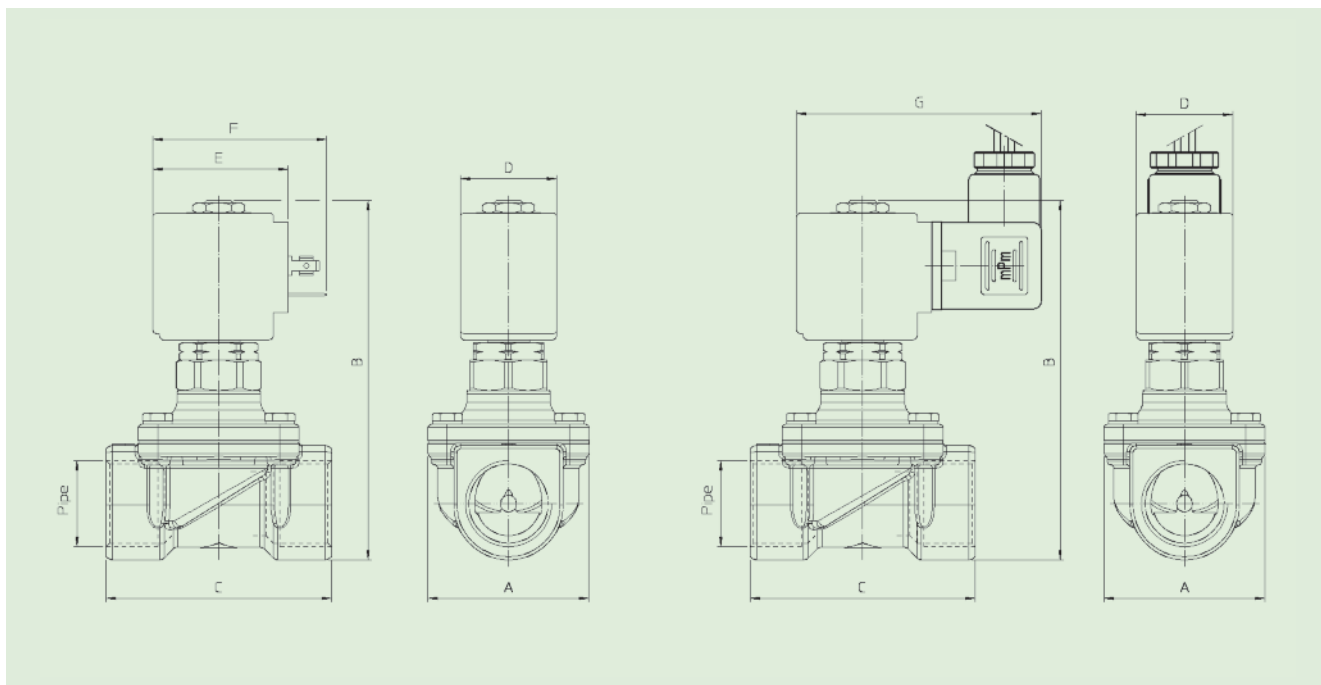
- 1. Coil:** See coils list
- 2. Complete armature tube without gasket:** Code R452908
- 3. Gasket O-Ring:** Code R990000/B
- 4. Complete nut with gasket O-Ring:** Code R452863/B
- 5. Complete diaphragm with spring :**
1/4÷3/8 NPT Cod. R452879/B
1/2÷3/4 NPT Cod. R452862/B
- 6. Gasekt O-Ring :** Code R990105/B

MAINTENANCE KIT:

- 1/4 ÷ 3/8 NPT
KTGHT3Z0Y11=5+6
- 1/2 ÷ 3/4 NPT
KTGHT4Z0Y16=5+6



DIMENSIONS:



Type	Pipe	A mm	B mm	C mm
21HN2Z0Y110-HT	1/4 NPT	50	101	56
21HN3Z0Y110-HT	3/8 NPT		112	70
21HN4Z0Y160-HT	1/2 NPT			
21HN5Z0Y160-HT	3/4 NPT			

COIL TYPE	POWER ABSORPTION			DIMENSIONS			
	W ---	Hold VA ~	Inrush VA ~	D mm	E mm	F mm	G mm
B	8	14,5	25	30	42	54	76