



FEATURES

- ▶ Ideal for piloting
- ▶ High flow rate
- ▶ Atex approval

TECHNICAL SPECIFICATION

- ▶ **Body material:** Stainless Steel AISI 316
- ▶ **Armature tube:** Stainless Steel AISI 300 series
- ▶ **Plungers:** Stainless Steel AISI 400 series
- ▶ **Spring:** Stainless Steel AISI 300 series
- ▶ **Ex d Housing in Aluminium die cast**
- ▶ **Media:** mineral oils, gasoline, diesel, fuel oils, air, water, inert gases, 134 a, R 404a
- ▶ **Ex m Ambient temperature:** See coils catalogue page for its compatibility
- ▶ **Ex m Fluid temperature:** -10°C +80°C with FKM seals
- ▶ **Ex d Housing Ambient temperature:** -40°C +60°C
- ▶ **Ex d Fluid temperature:** -10°C + 80°C with FKM seals
-30°C +80°C H-NBR
- ▶ **Design pressure PS:** 40 bar for Ex d
25 bar for Ex m
- ▶ **Protection class:** Ex m IP 65 (complete with electric plug);
Ex d IP 65 (with hosing fitted by cable gland Atex Ex d)
- ▶ **Electrical conformity:** IEC 335

- ▶ (Conforme to Atex Directive 94/9/CE ATEX)
- For S.V. 31L..I
II 2G Ex d IIC T6 o T5 Gb
II 2D Ex tb IIIC T80°C o T90°C Db IP67
(Tamb: -40°C ≤ +60°C)
- For S.V. 31L..P
II 2G Ex mb II T4
II 2D Ex tD
IEC Ex m II T4
A21 IP65 T130°C



31L	1	PD	V	20	
Model valve	1= G 1/8 2= G 1/4	PD= N.C. Ex m EI= N.C. Ex d	V= FKM F= H-NBR	20 30	Orefice 10 ⁻¹ mm

B	D	A	08	012	C	S
B= 30mm Ø 13	D EN 175301-803	A= Class F	08= 8W	012= 12V 024= 24V 048= 48V 110= 110V 223= 220V-230V	C= DC D= AC	S= Without Approval(*)

(*) Ex d protection class when assembled with Ex housing

T	N	A	4X	024	D	4
T= 36mm Ø 14,5	N 3 cables cm 300	A= Class F	4X= 7,2V 5X= 9,13V 05= 7,7V-9,2V 10= 10,1W	024= 24V 110= 110V 224= 220V-240V 024= 24V	D= AC C= DC	4= Ex m T4

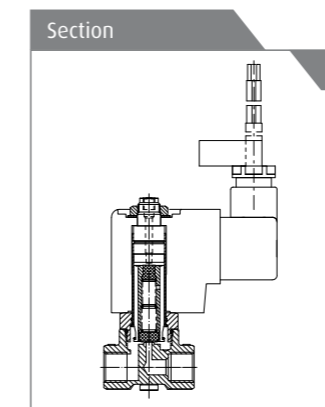
PIPE	Ø (mm)	Kv (l/min)	MAX VISCOSITY cSt (°E)	PRESSURE min	PRESSURE MAX MOPD (bar)				GAS CODE	NPT CODE	DRAWING REFERENCE
					COIL TYPE						
					AC		DC				
B	T	B	T								

Normally Closed Ex m (*) 3rd way exhaust= Ø 3mm

G 1/8	2(*)	2	37(7)	0	-	10	-	10	(Part numbering example add "N" at the 4th digit 31L1PDV20)	31LN1PDV20	1	
G 1/8	2(*)	4	53(7)		-	5	-	5		31LN1PDV30	1	
G 1/4	2(*)	2	37(7)		-	10	-	10		31L2PDV20	31LN2PDV20	1
G 1/4	3(*)	4	53(7)		-	5	-	5		31L2PDV30	31LN2PDV30	1

Normally Closed Ex d (*) 3rd way exhaust= Ø 3mm

G 1/8	2(*)	2	37(7)	0	10	-	10	-	31L1EIV20	31LN1EIV20	2
G 1/8	2(*)	4	53(7)		5	-	5	-	31L1EIV30	31LN1EIV30	2
G 1/4	2(*)	2	37(7)		10	-	10	-	31L2EIV20	31LN2EIV20	2
G 1/4	3(*)	4	53(7)		5	-	5	-	31L2EIV30	31LN2EIV30	2

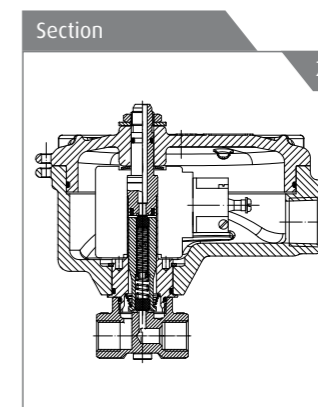


REPAIR KIT

For spare parts please consult our technical department

Coil P/N Ex mb II T 4

- RTNA4X024D4
- RTNA5X110D4
- RTNA05224DA
- RTNA10024C4



REPAIR KIT

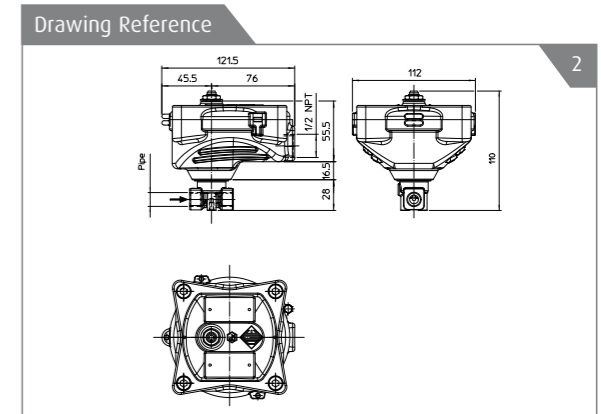
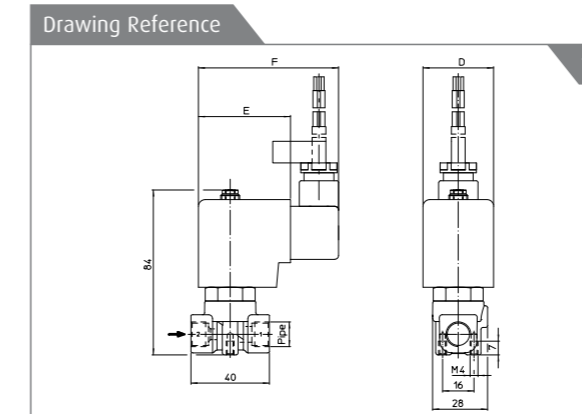
For spare parts please consult our technical department

ACCESSORIES

Code P992219 Cable Gland (to be ordered separately)

INSTALLATION

- ▶ The solenoid valves can be mounted in any position
- ▶ Maintenance and instruction sheet available in each solenoid valve box
- ▶ Attention: for fuse selection please refer to the "Instruction sheet Atex products" delivered together with the valve
- ▶ Fixing holes
- ▶ Holes and threaded connections for panel fixing



Dimensionale Table

Figure	Coil Type	D mm	E mm	F mm
1	B	30	42	54

