



Solenoid valve 2/2 way N.C. With pilot control Explosion proof - Atex Ex d

21WN3KIB130

÷

21WN9KIB500

PRESENTATION:

S.V. with pilot control for interception of fluids compatible with the construction materials. Aluminium coil housing, explosion proof "Ex d". Electrical and electromechanical components according to Atex Directive 94/9/CE

A minimum operational pressure of 0,2 bar is required. The materials used and the tests carried out ensure maximum reliability and duration.

USE: Potentially explosive atmospheres
Zone 1, 2, 21, 22

PIPES: 3/8 NPT - 2 NPT

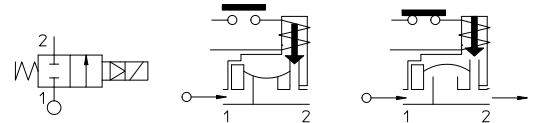
COIL: 8W - Ø 13
BDA 155°C (class F)

Max. allowable pressure (PS)
3/8 NPT - 1 NPT 25 bar
1 1/4 NPT - 2 NPT 16 bar
Housing ambient temperature - 40°C + 60°C



Gaskets	Temperature		Medium
B =NBR (nitrile rubber)	- 10°C	+ 80°C	Air, inert gas, water
E =EPDM (ethylene-propylene)	- 10°C	+ 80°C	Water, low pressure steam
V =FKM (fluoroelastomer)	- 10°C	+ 80°C	Mineral oils (2°E), gasoline gas oil
F =H-NBR (hydrogenated nitrile)	- 30°C	+ 80°C	Air, inert gas, water R 134a, R 404a

For seals other than NBR replace the letter "B" with the ones corresponding to the other seals. E.I. Es.21WN5KIV190.



Pipe ANSI/ASME Bl.20.1	Code	Max viscosity		Ø mm	Kv l/mn	Power watt	Pressure		
		cSt					min bar	M.O.P.D. AC bar DC bar	
3/8 NPT	21WN3KIB130	12	~ 2	13	60	8	0,2	16	16
1/2 NPT	21WN4KIB130				70				
3/4 NPT	21WN5KIB190				140				
1 NPT	21WN6KIB250			25	190			10	10
1 1/4 NPT	21WN7KIB350			35	400				
1 1/2 NPT	21WN8KIB400			40	520				
2 NPT	21WN9KIB500			50	750				



(According to Directive 94/9/CE ATEX)
II 2G Ex d IIC T6 o T5 Gb
II 2D Ex tb IIIC T80°C o T95°C Db IP67

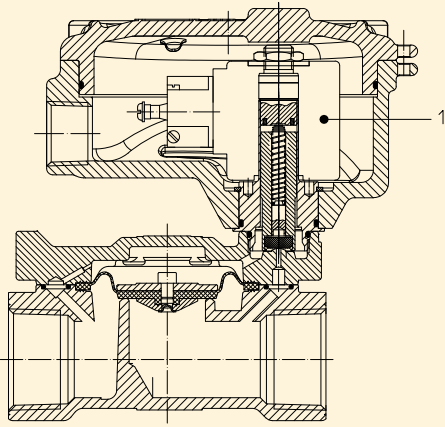


CE Approval
(Pressure Equipment Directive 97/23/CE
for S.V. 21WN7÷21WN9

Note

Available on request and with minimum quantities.

The "ODE" reserves the right to carry out technical and aesthetic modifications without prior notification.



MATERIALS:

Body	Brass - UNI EN 12165 CW617N
Armature tube	Stainless steel AISI series 300
Fixed core	Stainless steel AISI series 400
Plunger	Stainless steel AISI series 400
Phase displacement ring	Copper - Cu 99,9%
Spring	Stainless steel AISI series 300
Seal	Standard: B=NBR On request: V=FKM; E=EPDM; F=H-NBR
Orifice	Brass - UNI EN 12165 CW617N
Housing	Aluminium die cast

Connector conformity ISO 4400

FEATURES:

Electrical conformity	IEC 335
Protection degree	IP 65 EN 60529 (DIN 40050) with housing fitted by cable gland Atex Ex d.

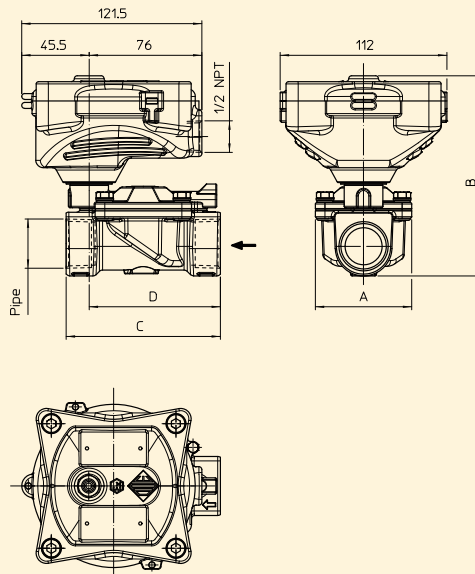
SPARE PARTS:

- 1. Coil:**
 BDA08012CS
 BDA08024CS
 BDA08024DS
 BDA08048AS
 BDA08048CS
 BDA08110CS
 BDA08110DS
 BDA08223DS

ACCESSORIES:

Code P992219 Cable Gland
(to be ordered separately)

DIMENSIONS:



Type	Pipe	A mm	B mm	C mm	D mm
21WN3KIB130	3/8 NPT	40	120	60	47
21WN4KIB130	1/2 NPT		66	50	
21WN5KIB190	3/4 NPT	65	128	104	89
21WN6KIB250	1 NPT		136		
21WN7KIB350	1 1/4 NPT	98	153	144	125
21WN8KIB400	1 1/2 NPT				
21WN9KIB500	2 NPT	118	166	171	150

COIL TYPE	POWER ABSORPTION		
	W	Hold VA ~	Inrush VA ~
B	8	14,5	25