



Solenoid piston valve 2/2 way N.O. pilot control dampness-proof IP 67

21YN4Z0T130-YW

÷

21YN6Z0T250-YW

PRESENTATION:

S.V. with pilot control for interception of fluids compatible with the construction materials.

A minimum operational pressure of 0,9 bar is required.

The materials used and the tests carried out ensure maximum reliability and duration.

USE: Hot water, Steam

PIPES: 1/2 NPT - 1 NPT

COIL: 8W - Ø 13
BDV 180°C (class H)

COIL HOUSING AND COIL FORMER MATERIAL ARE MADE BY 100% VIRGIN MATERIAL.

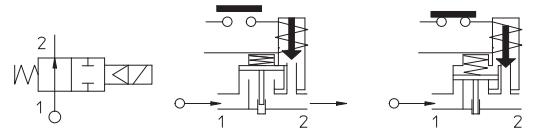
Max. allowable pressure (PS) 25 bar

Ambient temperature:

See coils catalogue page for its compatibility.



Gaskets	Temperature		Medium
T=PTFE (polytetrafluorethylen)	- 40°C	+180°C	Steam, hot water

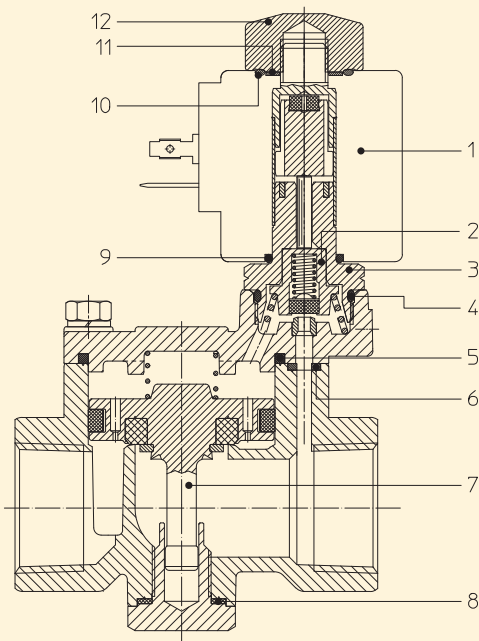


Pipe ANSI/ASME BI.20.1	Code	Max viscosity		Ø mm	Kv l/mn	Power watt	Pressure		
		cSt	°E				min	M.O.P.D.	
							bar	AC bar	DC bar
1/2 NPT	21YN4Z0T130-YW	-	-	13	50	8	0,9	10	10
3/4 NPT	21YN5Z0T190-YW			19	90				
1 NPT	21YN6Z0T250-YW			25	160				

Note

For dampness-proof cup see catalogue page R453882/B+R453882/U | Available on request and with minimum quantities.

The "ODE" reserves the right to carry out technical and aesthetic modifications without prior notification.



MATERIALS:

Body	Brass - UNI EN 12165 CW617N
Armature tube	Stainless steel AISI series 300
Fixed core	Stainless steel AISI series 400
Plunger	Stainless steel AISI series 400
Phase displacement ring	Copper - Cu 99,9%
Spring	Stainless steel AISI series 300
Piston seal	Modified PTFE
Main seal	Glassfiber reinforced T=PTFE
Pilot seal	PTFE
Orifice	Brass - UNI EN 12165 CW617N

On request:

Connector	Pg 9 o Pg 11
Connector conformity	ISO 4400

FEATURES:

Electrical conformity	IEC 335
Protection degree	IP 67 EN 60529 (DIN 40050) with coil fitted by connector dedicated

SPARE PARTS:

- | | |
|---|--|
| 1. Coil:
See coils list | 7. Complete piston:
NPT 1/2 Code R452604
NPT 3/4 Code R452547
NPT 1 Code R452548 |
| 2. Diaphragm support:
Code R450790 | 8. Gasket plug:
NPT 1/2 Code R452609
NPT 3/4+ 1 Code R452553 |
| 3. Complete armature tube without gasket:
Code R450573 | |
| 4. Gasket O-Ring:
Code 990000/T | |
| 5. Sealing ring:
NPT 1/2 Code R452607
NPT 3/4 Code R452551
NPT 1 Code R452552 | |
| 6. Gasket cover:
NPT 1/2 Code R452608
NPT 3/4+ 1 Code R450858 | |

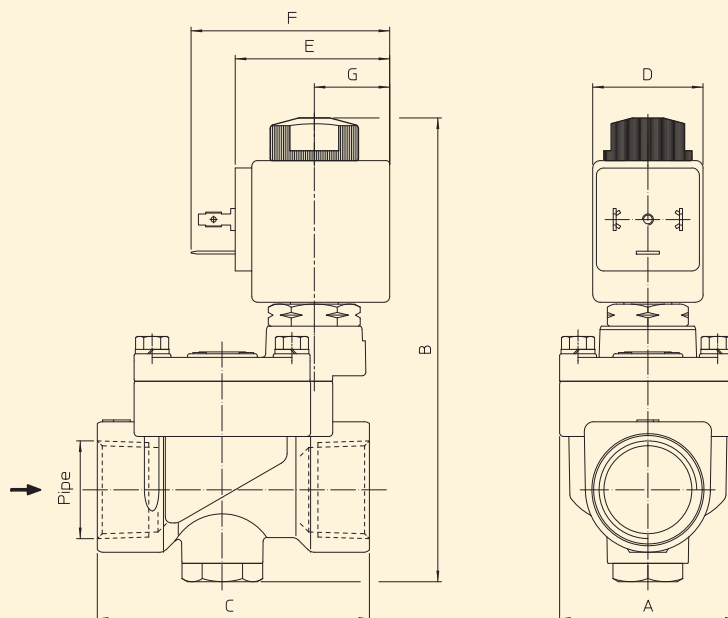
KIT:

KT130ZT30-TGB=2+3+4+9+10+11+12

MAINTENANCE KIT:

- 1/2 NPT KTPYW4Z0T13=2+5+6+7+8
- 3/4 NPT KTPYW5Z0T19=2+5+6+7+8
- 1 NPT KTPYW6Z0T25=2+5+6+7+8

DIMENSIONS:



Type	Pipe	A mm	B mm	C mm
21YN4Z0T130-YW	1/2 NPT	40	107	65
21YN5Z0T190-YW	3/4 NPT	48	120	74
21YN6Z0T250-YW	1 NPT	62	130	93

COIL TYPE	POWER ABSORPTION	DIMENSIONS			
	W	D mm	E mm	F mm	G mm
B	8	30	42	54	20,5