



Solenoid piston valve 2/2 way N.C. pilot control dampness-proof IP 67

21YN4K0T130-YW

÷

21YN6K0T250-YW

PRESENTATION:

S.V. with pilot control for interception of fluids compatible with the construction materials.

A minimum operational pressure of 0,9 bar is required.

The materials used and the tests carried out ensure maximum reliability and duration.

USE: Hot water, Steam

PIPES: 1/2 NPT - 1 NPT

COIL: 8W - Ø 13
BDV 180°C (class H)

COIL HOUSING AND COIL FORMER MATERIAL ARE MADE BY 100% VIRGIN MATERIAL.

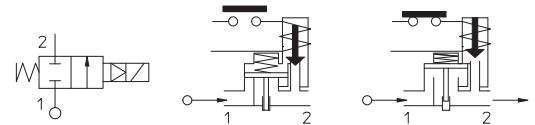
Max. allowable pressure (PS) 25 bar

Ambient temperature:

See coils catalogue page for its compatibility.



Gaskets	Temperature		Medium
	- 40°C	+180°C	
T=PTFE (polytetrafluorethylen)			Steam, hot water

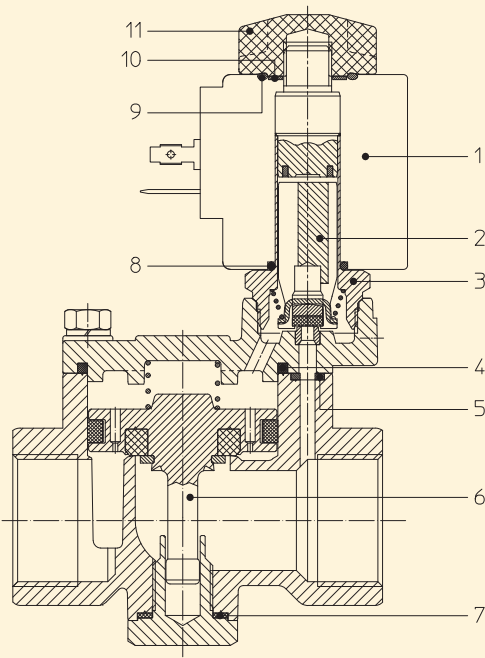


Pipe ANSI/ASME BI.20.1	Code	Max viscosity		Ø mm	Kv l/mn	Power watt	Pressure		
		cSt	°E				min	M.O.P.D.	
							bar	AC bar	DC bar
1/2 NPT	21YN4K0T130-YW	-	-	13	50	8	0,9	10	10
3/4 NPT	21YN5K0T190-YW			19	90				
1 NPT	21YN6K0T250-YW			25	160				

Note

For dampness-proof cup see catalogue page R453882/B+R453882/U | Available on request and with minimum quantities.

The "ODE" reserves the right to carry out technical and aesthetic modifications without prior notification.



MATERIALS:

- Body** Brass - UNI EN 12165 CW617N
- Armature tube** Stainless steel AISI series 300
- Fixed core** Stainless steel AISI series 400
- Plunger** Stainless steel AISI series 400
- Phase displacement ring** Copper - Cu 99,9%
- Spring** Stainless steel AISI series 300
- Piston seal** Modified PTFE
- Main seal** Glassfiber reinforced T=PTFE
- Pilot seal** PTFE
- Orifice** Brass - UNI EN 12165 CW617N

On request:

- Connector** Pg 9 o Pg 11
- Connector conformity** ISO 4400

FEATURES:

- Electrical conformity** IEC 335
- Protection degree** IP 67 EN 60529 (DIN 40050)
with coil fitted by connector dedicated.

SPARE PARTS:

- 1. Coil:** 3/4 NPT Code R452547
See coils list 1 NPT Code R452548
- 2. Complete plunger:** Code R450897
- 3. Complete armature tube:** 3/4÷ 1 NPT Code R452553
Code R450606
- 4. Sealing ring:** 1/2 NPT Code R452607
3/4 NPT Code R452551
1 NPT Code R452552
- 5. Gasket cover:** 1/2 NPT Code R452608
3/4÷ 1 NPT Code R450858
- 6. Complete piston:** 1/2 NPT Code R452604
- 7. Gasket plug:** 1/2 NPT Code R452609
3/4÷ 1 NPT Code R452553

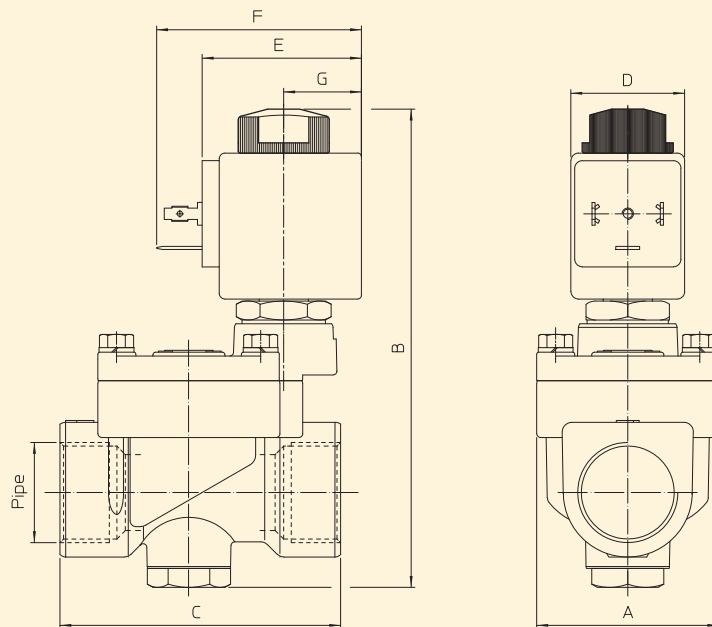
KIT:

KT130K730-APGB=2+3+8+9+10+11

MAINTENANCE KIT:

- 1/2NPTKTPYW4K0713=2+4+5+6+7
- 3/4NPTKTPYW5K0719=2+4+5+6+7
- 1 NPT KTPYW6K0725=2+4+5+6+7

DIMENSIONS:



Type	Pipe	A mm	B mm	C mm
21YN4K0T130-YW	1/2 NPT	40	107	65
21YN5K0T190-YW	3/4 NPT	48	120	74
21YN6K0T250-YW	1 NPT	62	130	93

COIL TYPE	POWER ABSORPTION	DIMENSIONS			
	W	D mm	E mm	F mm	G mm
B	8	30	42	54	20,5