



COILS 30 mm x Ø 13 mm

BDA08012AS

÷

BDV08230AY

COIL **BDA**
BDV

Coil housing material: PA - Black polyamide - class F (155°C)

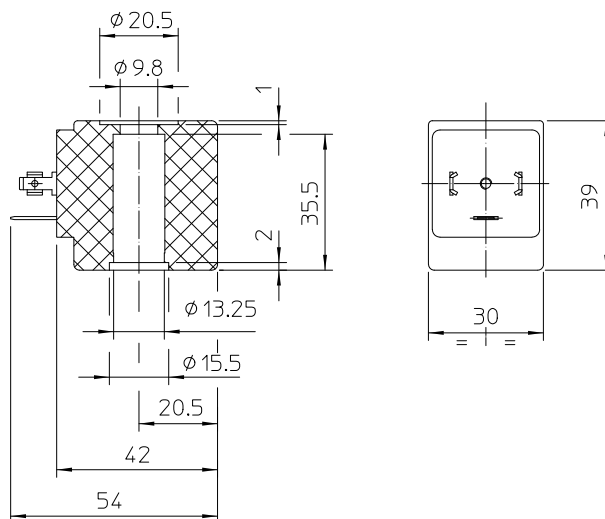
Coil housing material: PET - Black polyethylene - class H (180°C)

Winding: In class H

Electrical connections: With connector EN 175301-803 paragraph 5.3.1

Protection degree IP 65 EN 60529 (DIN 40050)

COIL HOUSING AND COIL FORMER MATERIAL ARE MADE BY 100% VIRGIN MATERIAL.



MATERIAL ON STOCK:

Code	Power	Voltages Frequency	ED	Ambient temperature	Approvals
BDA08012AS	14,5 VA	12 ~ 50	100%	- 10°C + 40°C	CE
BDA08012CS	8 W	12 ==	100%	- 10°C + 40°C	CE
BDA08024CS	8 W	24 ==	100%	- 10°C + 40°C	CE
BDA08024DS	14,5 VA	24 ~ 50/60	100%	- 10°C + 40°C	CE
BDA08110DS	14,5 VA	110 ~ 50/60	100%	- 10°C + 40°C	CE
BDA08223DS	14,5 VA	220/230 ~ 50/60	100%	- 10°C + 40°C	CE
BDA08380DS	14,5 VA	380 ~ 50/60	100%	- 10°C + 40°C	CE
BDV08012CY	11 W	12 ==	100%	- 20°C + 60°C	CE - UL - CSA - VDE
BDV08024CY	11 W	24 ==	100%	- 20°C + 60°C	CE - UL - CSA - VDE
BDV08024DY	17 VA	24 ~ 50/60	100%	- 20°C + 60°C	CE - UL - CSA - VDE
BDV08110AY	15 VA	110 ~ 50 120 ~ 60	100%	- 20°C + 60°C	CE - UL - CSA - VDE
BDV08230AY	16 VA	230 ~ 50 240 ~ 60	100%	- 20°C + 60°C	CE - UL - CSA - VDE

NOMINAL VOLTAGES DC + 10% -5%

TOLERANCES: AC + 10% -15%

Other voltages and power absorptions available on demand and for quantities.

The "ODE" reserves the right to carry out technical and aesthetic modifications without prior notification.