



Solenoid piston valve 2/2 way N.C. pilot control

21PW3K0V120

÷

21PW4K0V120

PRESENTATION:

S.V. with pilot control for interception of fluids compatible with the construction materials.

A minimum operational pressure of 0,3 bar is required.

The materials used and the tests carried out ensure maximum reliability and duration.

These solenoid valves are not suitable for stagnating fluids, or for fluids that being subject to evaporation may deposit solid, calcareous or similar residues.

USE: Automation, Compressors
Heating

PIPES: G 3/8 - G 1/2

COILS:

8W - Ø 13 (1)		
BDA - BSA	155°C	(class F)
BDV	180°C	(class H)
12W - Ø 13		
UDA	155°C	(class F)
14W - Ø 13		
GDH - GDV	180°C	(class H)

(1) Explosion-proof housing for coils with electrical connections EN 175301-803 on request.

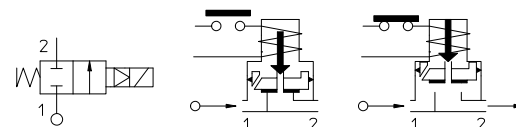


COIL HOUSING AND COIL FORMER MATERIAL ARE MADE BY 100% VIRGIN MATERIAL.

Max. allowable pressure (PS) 25 bar

Ambient temperature:

See coils catalogue page for its compatibility.



Gaskets	Temperature	Medium
V=FKM (fluoroelastomer)	- 10°C + 140°C	Air, inert gas, water

Pipe ISO 228/1	Code	Max viscosity		Ø mm	Kv l/mn	Power watt	Pressure			
		cSt	°E				min bar	M.O.P.D. AC bar DC bar		
G 3/8	21PW3K0V120	12	~ 2	12	32	8	0,3	15	-	
						12			-	
						14			10	
G 1/2	21PW4K0V120	12	~ 2	12	38	8	0,3	15	-	
						12			-	
						14			10	

The "ODE" reserves the right to carry out technical and aesthetic modifications without prior notification.

MATERIALS:

Body	Brass - UNI EN 12165 CW617N
Welded armature tube	Brass - UNI EN 12165 CW617N+
Fixed core	Stainless steel AISI series 300
Plunger	Stainless steel AISI series 400
Phase displacement ring	Stainless steel AISI series 400
Spring	Copper - Cu 99,9%
Piston	Stainless steel AISI series 300
Piston seal	Tecnopolimero
Seal	V=FKM
Orifice	V=FKM
	Brass - UNI EN 12165 CW617N

On request:

Connector	Pg 9 or Pg 11
Connector conformity	ISO 4400

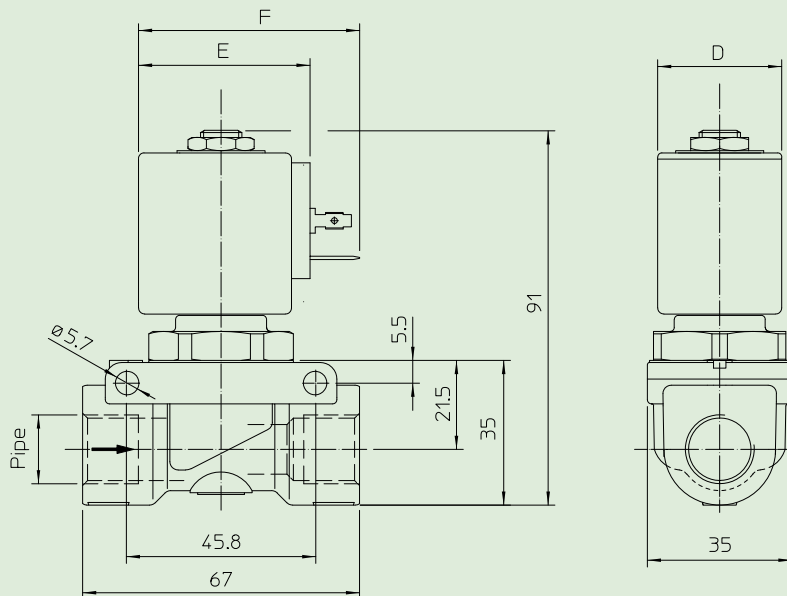
FEATURES:

Electrical conformity	IEC 335
Protection degree	IP 65 EN 60529 (DIN 40050) with coil fitted by connector.

SPARE PARTS:

- 1. Coil:**
See coils list
- 2. Complete plunger:**
Code R450820/V
- 3. Complete armature tube:**
Code R452153
- 4. Gasket O-Ring:**
Code R990478/V
- 5. Spring:**
Code R452151
- 6. Complete piston:**
Code R452149/V

DIMENSIONS:



Type	Pipe ISO 228/1
21PW3K0V120	G 3/8
21PW4K0V120	G 1/2

COIL TYPE	POWER ABSORPTION			DIMENSIONS		
	W =	Hold VA ~	Inrush VA ~	D mm	E mm	F mm
B	8	14,5	25	30	42	54
U	12	23	35	36	48	60
G	14	27	43	52	55	67