



Solenoid valve 2/2 way N.C. With pilot control - Progressive closing

21W3KB190-PC
÷
21W4KB250-PC

PRESENTATION:

S.V. with pilot control for interception of fluids compatible with the construction materials.

A minimum operational pressure of 0,2 bar is required.

The materials used and the tests undertaken ensure maximum reliability and duration.

USE: Automation
Heating

PIPES: G 3/4 - G 1

COILS: 8W - Ø 13
BDA - BSA 155°C (class F)
BDV 180°C (class H)

COIL HOUSING AND COIL FORMER MATERIAL ARE MADE BY 100% VIRGIN MATERIAL.

Max. allowable pressure (PS) 25 bar

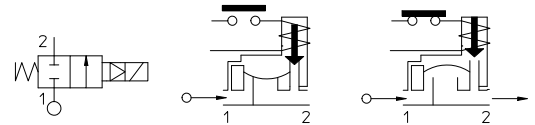
Ambient temperature:

See coils catalogue page for its compatibility.



| Gaskets | Temperature | | Medium |
|---------------------------------|-------------|--------|---|
| B =NBR (nitrile rubber) | - 10°C | + 90°C | Air, inert gas, water |
| V =FKM (fluoroelastomer) | - 10°C | +140°C | Mineral oils (2°E), gasoline gas oil |

For seals other than NBR replace the letter "B" with the ones corresponding to the other seals. E.I. 21W3KV190-PC.



| Pipe ISO 228/1 | Code | Max viscosity | | Ø mm | Kv l/mn | Power watt | Pressure | | |
|-------------------|--------------|---------------|-----|---------|------------|---------------|----------|----------|--------|
| | | cSt | °E | | | | min | M.O.P.D. | |
| | | | | | | | bar | AC bar | DC bar |
| G 3/4 | 21W3KB190-PC | 12 | ~ 2 | 19 | 120 | 8 | 0,2 | 16 | 16 |
| G 1 | 21W4KB250-PC | | | 25 | | | | | |

The "ODE" reserves the right to carry out technical and aesthetic modifications without prior notification.

MATERIALS:

| | |
|--------------------------------|--------------------------------------|
| Body | Brass - UNI EN 12165 CW617N |
| Armature tube | Stainless steel AISI series 300 |
| Fixed core | Stainless steel AISI series 400 |
| Plunger | Stainless steel AISI series 400 |
| Phase displacement ring | Copper - Cu 99,9% |
| Spring | Stainless steel AISI series 300 |
| Seal | Standard: B=NBR On request: V=FKM |
| Orifice | Brass - UNI EN 12165 CW617 |

On request:

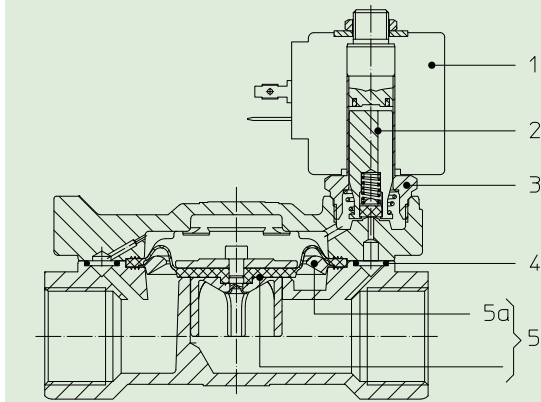
| | |
|-----------------------------|---------------|
| Connector | Pg 9 or Pg 11 |
| Connector conformity | ISO 4400 |

FEATURES:

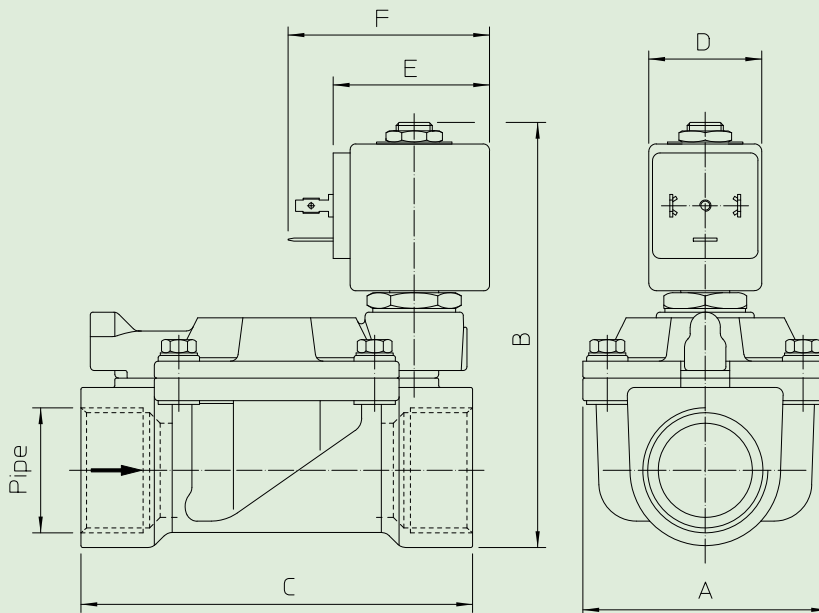
| | |
|------------------------------|---|
| Electrical conformity | IEC 335 |
| Protection degree | IP 65 EN 60529 (DIN 40050) with coil fitted by connector |

SPARE PARTS:

- | | | | |
|---------------------------------------|----------------|-------------------------|---------------------|
| 1. Coil: | See coils list | KIT: | KT130KB30-A=2+3 |
| 2. Complete plunger: | Code R450886/B | MAINTENANCE KIT: | |
| 3. Complete armature tube : | Code R450606 | | KTG0W3KB19-PC=2+4+5 |
| 4. Gasket O-Ring | Code R990002/B | | |
| 5. Complete diaphragm: | Code R451157/B | | |
| 5a. Diaphragm-supporting Ring: | Code R451228 | | |



DIMENSIONS:



| Type | Pipe ISO 228/1 | A mm | B mm | C mm |
|--------------|-------------------|---------|---------|---------|
| 21W3KB190-PC | G 3/4 | 65 | 105 | 104 |
| 21W4KB250-PC | G 1 | | 112 | |

| COIL TYPE | POWER ABSORPTION | | | DIMENSIONS | | |
|--------------|------------------|--------------|----------------|------------|---------|---------|
| | W --- | Hold VA ~ | Inrush VA ~ | D mm | E mm | F mm |
| B | 8 | 14,5 | 25 | 30 | 42 | 54 |