



# Solenoid valve 2/2 way N.C. Combined operation

21IN3K1V150-IH  
÷  
21IN8K1V400-IHS

## PRESENTATION:

Combined operation S.V. for interception of fluids compatible with the construction materials.  
Minimum operational pressure is not required.  
The materials used and the tests carried out ensure maximum reliability and duration.

**USE:** Automation - Heating - Chemistry

**PIPES:** 3/8 NPT - 1 1/2 NPT

**COILS:**

8W - Ø 13	
BDA - BSA	155°C (class F)
BDV	180°C (class H)
12W - Ø 13	
UDA	155°C (class F)
14W - Ø 13	
GDA - GDS	155°C (class F)
GDH - GDV	180°C (class H)

**COIL HOUSING AND COIL FORMER MATERIAL ARE MADE BY 100% VIRGIN MATERIAL.**

Max. allowable pressure (PS) 16 bar

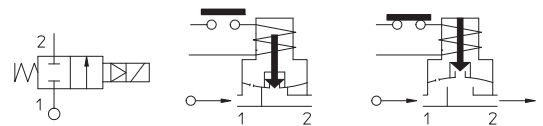
Ambient temperature:

See coils catalogue page for its compatibility.



Gaskets	Temperature		Medium
<b>V</b> =FKM +PA (fluoroelastomer+polyamide)	- 10°C	+140°C	Mineral oils (2°E),gasoline gas oil
<b>B</b> = NBR + PA (nitrile rubber+polyamide)	- 10°C	+ 90°C	Air, inert gas, water

For seals other than FKM replace the letter "V" with the ones corresponding to the other seals. E.I. 21IN3K1**B**150-IH.



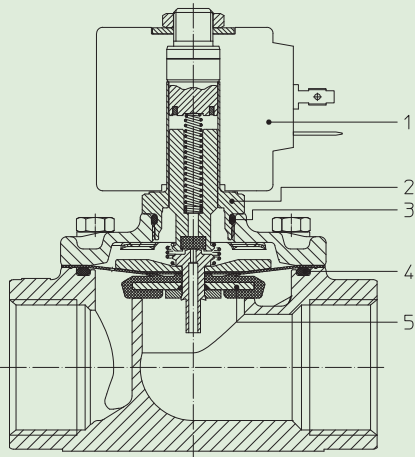
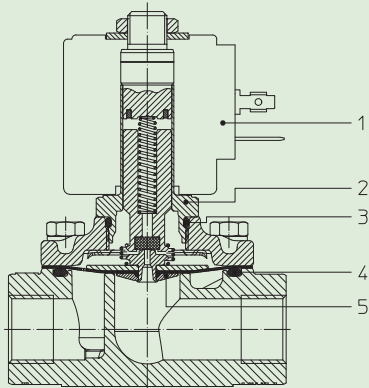
Pipe ANSI/ASME BI.20.1	Code	Max viscosity		Ø mm	Kv l/mn	Power watt	Pressure				
		cSt	°E				min bar	M.O.P.D.			
								AC bar	DC bar		
3/8 NPT	21IN3K1V150-IH	12	~ 2	15	40	8	0	14	6		
						12		-	14		
1/2 NPT	21IN4K1V160-IH			16	50	8		14	6		
						12		-	14		
3/4 NPT	21IN5K1V200-IH			20	60	8		14	6		
						12		-	14		
1 NPT	21IN6K1V250-IH			25	140	8		14	3		
						12		-	8		
1 1/4 NPT	21IN7K1V350-IH			35	~ 2	300		14	-	14	-
									250	-	7
	21IN8K1V400-IH					40			320	14	-
									250	-	7



**CE Approval**

(Pressure Equipment Directive 97/23/CE)  
for S.V. 21IN7+21IN8...-IHS

The "ODE" reserves the right to carry out technical and aesthetic modifications without prior notice.



**MATERIALS:**

**Body** Stainless steel AISI 316  
**Armature tube** Stainless steel AISI 316  
**Fixed core** Stainless steel AISI series 400  
**Plunger** Stainless steel AISI series 400  
**Phase displacement ring** Gold plated copper  
**Spring** Stainless steel AISI series 300  
**Seal** Standard: V=FKM+PA  
 On request: B=NBR+PA  
**Orifice** Stainless steel AISI 316

**On request:**  
**Connector** Pg 9 o Pg 11  
**Connector conformity** ISO 4400

**FEATURES:**

**Electrical conformity** IEC 335  
**Protection degree** IP 65 EN 60529 (DIN 40050)  
 with coil fitted by connector.

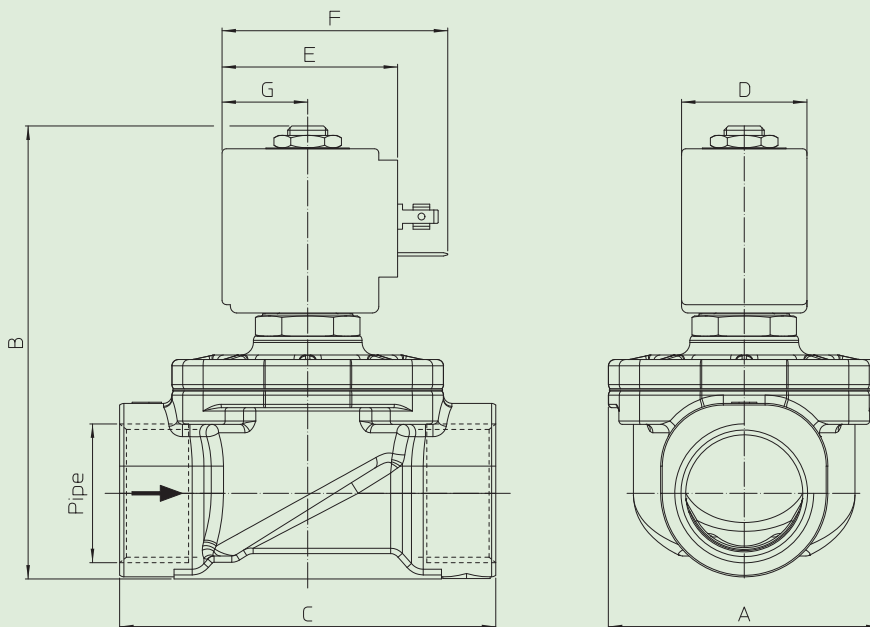
**SPARE PARTS:**

- 1. Coil:** 3/4 NPT Code R452899/V  
 See coils list 1 NPT Code R452846/V
- 2. Complete plunger:** 1 1/4+1 1/2 NPT Code R452904/V  
 Code R450811
- 3. Gasket O-Ring:** Code R990000/V
- 4. Gasket O-Ring:** 3/8+1/2 NPT Code R990105/V  
 3/4 NPT Code R992103/V  
 1 NPT Code R992109/V  
 1 1/4+1 1/2 NPT Code R992101/V
- 5. Complete diaphragm with plunger:** 3/8+1/2NPT Code R452894/V

**MAINTENANCE KIT:**

- 3/8 ÷ 1/2 NPT  
 KTGIH3K1V15=4+5  
 3/4 NPT  
 KTGIH5K1V20=4+5  
 1 NPT  
 KTGIH6K1V25=4+5  
 1 1/4 ÷ 1 1/2 NPT  
 KTGIH7K1V35=4+5

**DIMENSIONS:**



Type	Pipe	A mm	B mm	C mm
21IN3K1V150	3/8 NPT	52	92	68
21IN4K1V160	1/2 NPT			
21IN5K1V200	3/4 NPT	58	100	75
21IN6K1V250	1 NPT	65	109	90
21IN7K1V350	1 1/4 NPT	94	126	128
21IN7K1V350-IHS				
21IN8K1V400	1 1/2 NPT	94	126	128
21IN8K1V400-IHS				

COIL TYPE	POWER ABSORPTION			DIMENSIONS			
	W ==	Hold VA ~	Inrush VA ~	D mm	E mm	F mm	G mm
B	8	14,5	25	30	42	54	20,5
U	12	23	35	36	48	60	23,5
G	14	27	43	52	55	67	25