



Solenoid valve 3/2 way N.C. Direct acting

31A3AR10
÷
31A2AR25

PRESENTATION:

Direct acting S.V. for interception of fluids compatible with the construction materials.

Minimum operational pressure is not required.

The materials used and the tests carried out ensure maximum reliability and duration.

USE: Automation
Heating

COILS: G 1/8 - G 1/4

PIPES: 8W - Ø 13
BDA - BSA 155°C (class F)
BDV 180°C (class H)

COIL HOUSING AND COIL FORMER MATERIAL ARE MADE BY 100% VIRGIN MATERIAL.

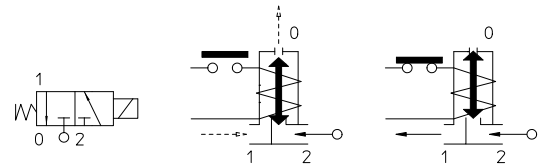
Max. allowable pressure (PS) 40 bar

Ambient temperature:

See coils catalogue page for its compatibility.



Gaskets	Temperature		Medium
R=RUBY	- 40°C	+ 180°C	Steam, water, mineral oils (2°E), gas oil, fuel oils (7°E)



Pipe ISO 228/1	Code	Max viscosity		Ø mm	Kv l/mn	Power watt	Pressure				
		cSt	°E				min bar	M.O.P.D. AC bar DC bar			
G 1/8	31A3AR10	12	~ 2	1*	0,45	8	0	20	20		
	31A3AR15			1,5*	1,4			15	15		
	31A3AR20	37	~ 5	2*	2			10	10		
	31A3AR25	53	~ 7	2,5*	3,2			6	6		
G 1/4	31A2AR10	12	~ 2	1*	0,45			8	0	20	20
	31A2AR15			1,5*	1,4					15	15
	31A2AR20	37	~ 5	2*	2					10	10
	31A2AR25	53	~ 7	2,5*	3,2					6	6

Note

* 3rd way exhaust= Ø 2,5 mm

Also available with brass body without lead.

The use of rigid sealings usually implies a slight leakage, limited within 2scc/min at the pressure of 1 bar.

The "ODE" reserves the right to carry out technical and aesthetic modifications without prior notification.

MATERIALS:

Body	Brass - UNI EN 12165 CW617N
Armature tube	Stainless steel AISI series 300
Fixed core	Stainless steel AISI series 400
Plunger	Stainless steel AISI series 400
Phase displacement ring	Copper - Cu 99,9%
Spring	Stainless steel AISI series 300
Seal	R=RUBY
Orifice: Insert slot	Stainless steel AISI series 300

On request:

Connector	Pg 9 or Pg 11
Connector conformity	ISO 4400

FEATURES:

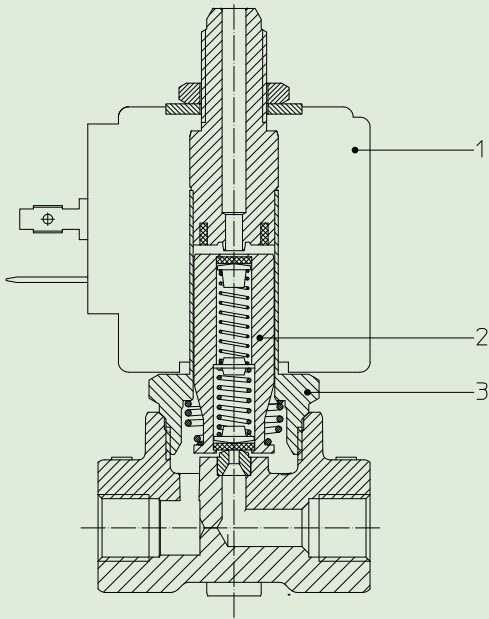
Electrical conformity	IEC 335
Protection degree	IP 65 EN 60529 (DIN 40050) with coil fitted by connector

SPARE PARTS:

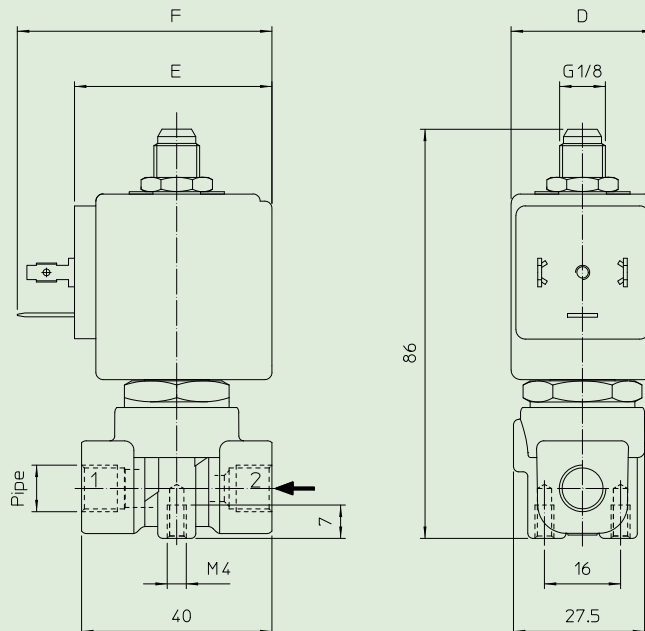
- Coil:**
See coils list
- Complete plunger:**
Code R450873
- Complete armature tube:**
Code R450944/AL

KIT:

KT130AR30-A=2+3



DIMENSIONS:



Type	Pipe ISO 228/1
31A3AR	G 1/8
31A2AR	G 1/4

COIL TYPE	POWER ABSORPTION			DIMENSIONS		
	W ---	Hold VA ~	Inrush VA ~	D mm	E mm	F mm
B	8	14,5	25	30	42	54