



# Solenoid valve 3/2 way N.C. Direct acting

31APBA0V15

÷

31APBA0V30

## PRESENTATION:

Direct acting S.V. for interception of fluids compatible with the construction materials.

Minimum operational pressure is not required.

The materials used and the tests carried out ensure maximum reliability and duration.

**USE:** Automation  
Heating

**PIPES:** subplate mounting

**COIL:** 8W - Ø 13  
BDA - BSA 155°C (class F)  
BDV 180°C (class H)

**COIL HOUSING AND COIL FORMER MATERIAL ARE MADE BY 100% VIRGIN MATERIAL.**

Ambient temperature:

See coils catalogue page for its compatibility.



Gaskets	Temperature		Medium
	- 10°C	+140°C	
V=FKM (fluoroelastomer)	- 10°C	+140°C	Mineral oils (2°E), gasoline gas oil, fuel oils (7°E)
B=NBR (nitrile rubber)	- 10°C	+90°C	Air, inert gas, water
E=EPDM (ethylene-propylene)	- 10°C	+140°C	Water, steam

For seals other than FKM replace the letter "V" with the ones corresponding to the other seals. E.I.31APBA0**B**20.

Max allowable pressure (PS) 16 bar - According to EN 60730-2-8 - Factor of safety for domestic applications equal to 5 times PS

Pipe	Code	Max viscosity		Ø mm	Kv l/mn	Power watt	Pressure		
		cSt	°E				min bar	M.O.P.D	
								AC bar	DC bar
SUBPLATE MOUNTING	31APBA0V15	12	~ 2	1,5*	1,4	8	0	16	16
	31APBA0V20	37	~ 5	2*	2			14	14
	31APBA0V25	53	~ 7	2,5*	3,2			11	11
	31APBA0V30			3*	4			5	5

Max allowable pressure (PS) 25 bar - Safety factor for industrial application equal to 3 times PS

Pipe	Code	Max viscosity		Ø mm	Kv l/mn	Power watt	Pressure		
		cSt	°E				min bar	M.O.P.D	
								AC bar	DC bar
SUBPLATE MOUNTING	31APBA0V15	12	~ 2	1,5*	1,4	8	0	17	17
	31APBA0V20	37	~ 5	2*	2			14	14
	31APBA0V25	53	~ 7	2,5*	3,2			11	11
	31APBA0V30			3*	4			5	5

### Note

\* 3rd way exhaust= Ø 2,5 mm; | Available also with NSF approval; | Available also with coil Ex nA; | Available on request and with minimum quantities.

The "ODE" reserves the right to carry out technical and aesthetic modifications without prior notification.

### MATERIALS:

<b>Body</b>	PPS
<b>Armature tube</b>	Stainless steel AISI series 300
<b>Fixed core</b>	Stainless steel AISI series 400
<b>Plunger</b>	Stainless steel AISI series 400
<b>Phase displacement ring</b>	Copper - Cu 99,9%
<b>Spring</b>	Stainless steel AISI series 300
<b>Seal</b>	Standard: V=FKM On request: B=NBR E=EPDM
<b>Orifice</b>	PPS

### On request:

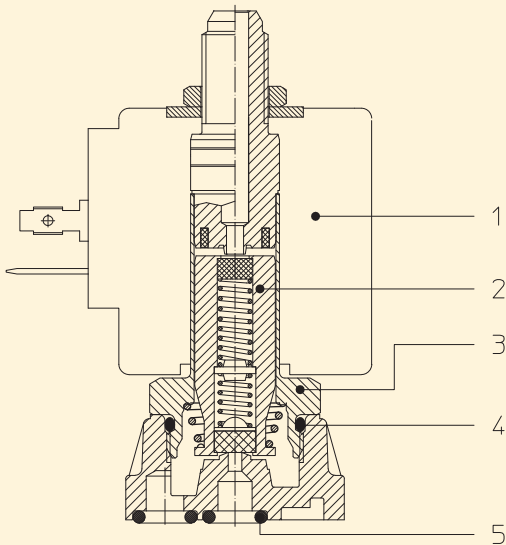
<b>Connector</b>	Pg 9 or Pg 11
<b>Connector conformity</b>	ISO 4400

### FEATURES:

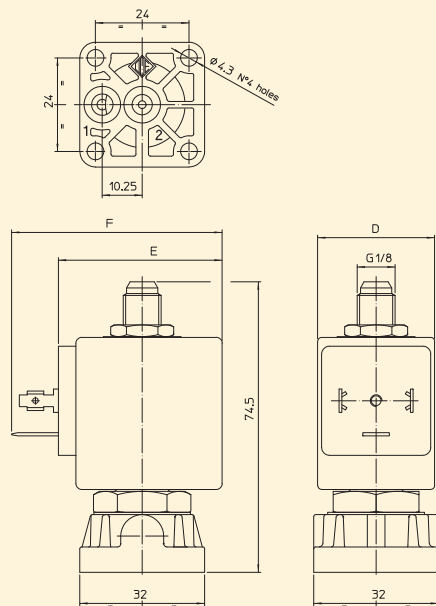
<b>Electrical conformity</b>	IEC 335
<b>Protection degree</b>	IP 65 EN 60529 (DIN 40050) with coil fitted by connector.

### SPARE PARTS:

1. **Coil:**  
See coils list
2. **Complete plunger:**  
Code R450675/VX
3. **Complete armature tube:**  
Code R450864
4. **Gasket O-Ring:**  
Code R990000/VX
5. **Gasket O-Ring:**  
Code R990002/S



### DIMENSIONS:



COIL TYPE	POWER ABSORPTION			DIMENSIONS		
	W ---	Hold VA ~	Inrush VA ~	D mm	E mm	F mm
B	8	14,5	25	30	42	54