



Solenoid valve 2/2 way N.C. Direct acting Explosion proof - Atex Ex d

21A3KIV15
÷
21A2KIV30

PRESENTATION:

Direct acting S.V. for interception of fluids compatible with the construction materials. Aluminium coil housing, explosion proof "Ex d". Electrical and electromechanical components according to Atex Directive 94/9/CE

Minimum operational pressure is not required.

The materials used and the tests carried out ensure maximum reliability and duration.

USE: Potentially explosive atmospheres
Zone 1, 2, 21, 22

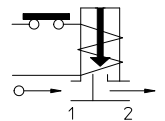
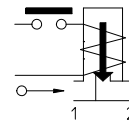
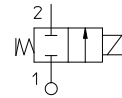
PIPES: G 1/8 - G 1/4

COIL: 8W - Ø 13
BDA 155°C (class F)

Max. allowable pressure (PS) 40 bar
Housing ambient temperature - 40°C + 60°C



Gaskets	Temperature		Medium
V=FKM (fluoroelastomer)	- 10°C	+ 80°C	Mineral oils (2°E), gasoline gas oil, fuel oils (7°E)
F=H-NBR (hydrogenated nitrile)	- 30°C	+ 80°C	Air, inert gas, water R 134a, R 404a



For seals other than FKM replace the letter "V" with the ones corresponding to the other seals. E.I. 21A2KIF20.

Pipe ISO 228/1	Code	Max viscosity		Ø mm	Kv l/mn	Power watt	Pressure				
		cSt	°E				min bar	M.O.P.D. AC bar DC bar			
G 1/8	21A3KIV15	12	~ 2	1,5	1,4	8	0	30	18		
	21A3KIV20	37	~ 5	2	2			22	16		
	21A3KIV25	53	~ 7	2,5	3,2			14	9		
	21A3KIV30			3	4			10	6		
G 1/4	21A2KIV15	12	~ 2	1,5	1,4			8	0	30	18
	21A2KIV20	37	~ 5	2	2					22	16
	21A2KIV25	53	~ 7	2,5	3,2					14	9
	21A2KIV30			3	4					10	6

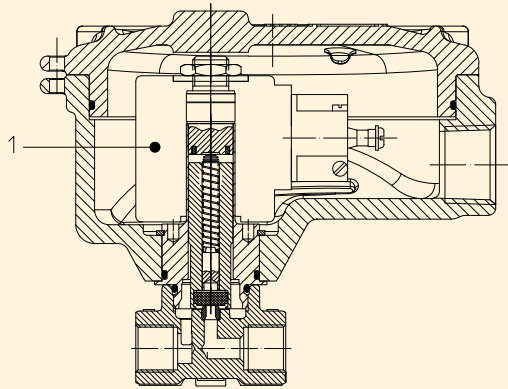


(According to Directive 94/9/CE ATEX)
II 2G Ex d IIC T6 o T5 Gb
II 2D Ex tb IIC T80°C o T95°C Db IP67

Note

Available on request and with minimum quantities.
Also available with brass body without lead.

The "ODE" reserves the right to carry out technical and aesthetic modifications without prior notification.



MATERIALS:

Body Brass - UNI EN 12165 CW617N
Armature tube Stainless steel AISI series 300
Fixed core Stainless steel AISI series 400
Plunger Stainless steel AISI series 400
Phase displacement ring Copper - Cu 99,9%
Spring Stainless steel AISI series 300
Seal Standard: V=FKM
 On request: F=H-NBR
Orifice: Insert slot Stainless steel AISI series 300
Housing Aluminium die cast

Connector conformity ISO 4400

FEATURES:

Electrical conformity IEC 335
Protection degree IP 65 EN 60529 (DIN 40050)
 with housing fitted by cable gland
 Atex Ex d.

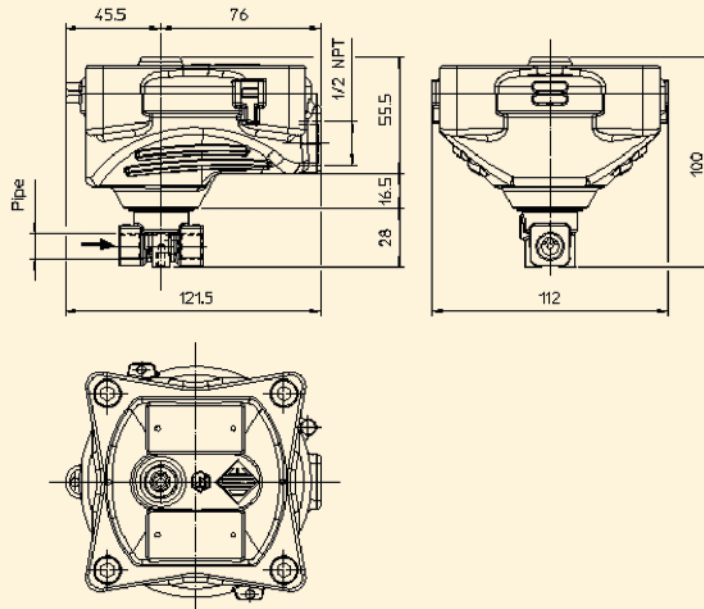
SPARE PARTS:

- 1. Coil:**
 BDA08012CS
 BDA08024CS
 BDA08024DS
 BDA08048AS
 BDA08048CS
 BDA08110CS
 BDA08110DS
 BDA08223DS

ACCESSORIES:

Code P992219 Cable Gland
(to be ordered separately)

DIMENSIONS:



COIL TYPE	POWER ABSORPTION		
	W ==	Hold VA ~	Inrush VA ~
B	8	14,5	25