



Solenoid valve 2/2 way N.C. Combined operation

21H11K0V120
÷
21H14K0V250-S

PRESENTATION:

Combined operation S.V. for interception of fluids compatible with the construction materials.

Minimum operational pressure is not required.

The materials used and the tests undertaken ensure maximum reliability and duration.

USE: Automation
Heating

PIPES: G 3/8 - G 1

COILS:

8W - Ø 13	
BDA - BSA	155°C (class F)
BDV	180°C (class H)
12W - Ø 13	
UDA	155°C (class F)
14W - Ø 13	
GDH - GDV	180°C (class H)

COIL HOUSING AND COIL FORMER MATERIAL ARE MADE BY 100% VIRGIN MATERIAL.

Max. allowable pressure (PS)

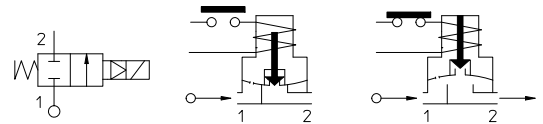
G 3/8 - G 1/2	20 bar
G 3/4 - G 1	16 bar

Ambient temperature:

See coils catalogue page for its compatibility.



Gaskets	Temperatur		Medium
V=FKM (fluoroelastomer)	- 10°C	+140°C	Mineral oils (2°E), gasoline gas oil
B=NBR (nitrile rubber)	- 10°C	+ 90°C	Air, inert gas, water
E=EPDM (ethylene-propylene)	- 10°C	+140°C	Water, low pressure steam



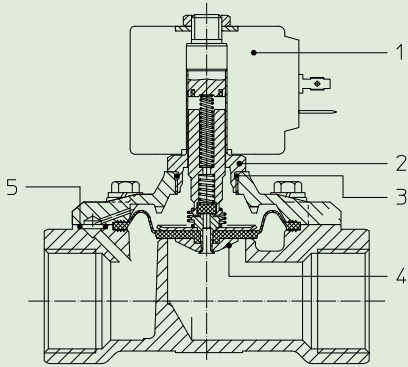
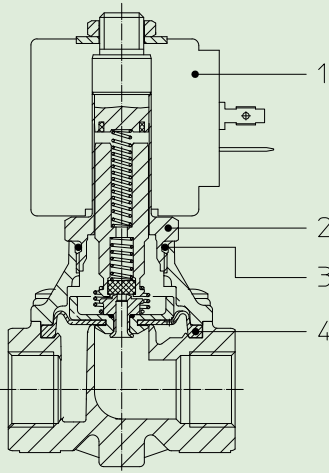
For seals other than FKM replace the letter "V" with the ones corresponding to the other seals. E.I. 21H11K0B120.

Pipe ISO 228/1	Code	Max viscosity		Ø mm	Kv l/mn	Power watt	Pressure		
		cSt	°E				min bar	M.O.P.D.	
								AC bar	DC bar
G 3/8	21H11K0V120	12	~ 2	12	28	8	0	16	1,5
						12		20	6
						14		15	
G 1/2	21H12K0V120				32	8		16	1,5
						12		20	6
						14		15	
G 3/4	21H13K0V190			19	~ 2	70	8	5	-
							12	12	
	* 21H13K0V190-S					65	12	-	1,5
		14	6						
G 1	21H14K0V250	25	~ 2	105	8	5	-		
					12	12			
	* 21H14K0V250-S			95	12	15			
					14	6			

Note

* For DC only.

The "ODE" reserves the right to carry out technical and aesthetic modifications without prior notification.



MATERIALS:

Body	Brass - UNI EN 12165 CW617N
Welded armature tube	Stainless steel AISI series 300
Fixed core	Stainless steel AISI series 400
Plunger	Stainless steel AISI series 400
Phase displacement ring	Copper - Cu 99,9%
Spring	Stainless steel AISI series 300
Seal	Standard: V=FKM On request: B=NBR E=EPDM
Orifice	Brass - UNI EN 12165 CW617

On request:
Connector Pg 9 or Pg 11
Connector conformity ISO 4400

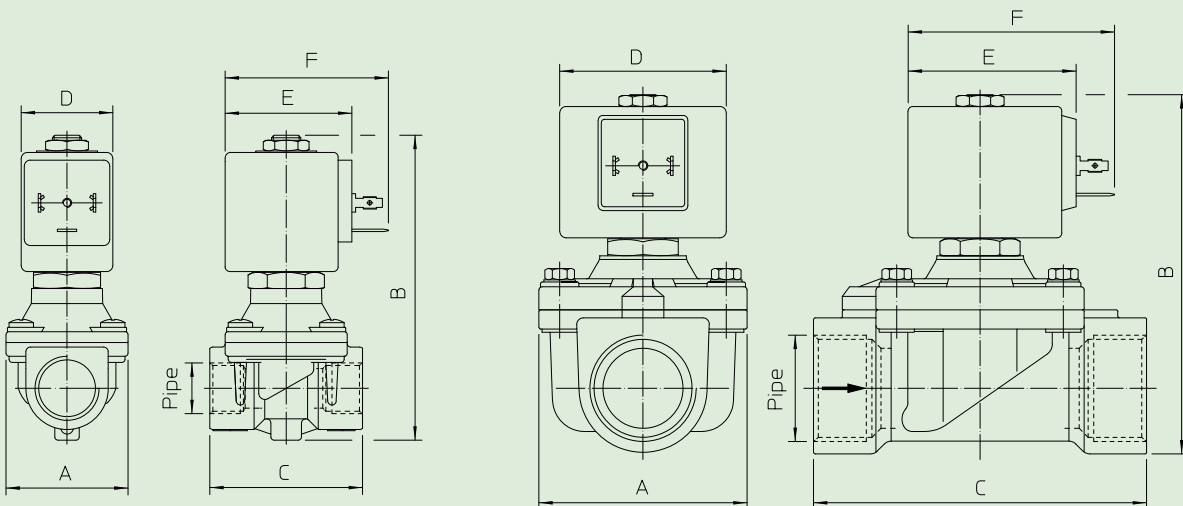
FEATURES:

Electrical conformity	IEC 335
Protection degree	IP 65 EN 60529 (DIN 40050) with coil fitted by connector.

SPARE PARTS:

- | | |
|--|--|
| 1. Coil:
See coils list | 5. Gasket O-Ring :
G 3/4-G 1 Code R990002/ |
| 2. Complete armature tube without gasket:
Code R450603 | MAINTENANCE KIT:
G 3/8÷G 1/2 |
| 3. Gasket O-Ring :
Code R990000/V | KTGH11K0V12=4
G 3/4÷G 1 |
| 4. Complete diaphragm with plunger:
G 3/8 -G 1/2 Code R452127/V
G 3/4 -G 1 Code R452128/V | KTGH13K0V19=4+5 |

DIMENSIONS:



Type	Pipe ISO 228/1	A mm	B mm	C mm
21H11K0V120	G 3/8	40	100	50
21H12K0V120	G 1/2			
21H13K0V190	G 3/4	65	105	104
21H14K0V250	G 1		112	

COIL TYPE	POWER ABSORPTION			DIMENSIONS		
	W ==	Hold VA ~	Inrush VA ~	D mm	E mm	F mm
B	8	14,5	25	30	42	54
U	12	23	35	36	48	60
G	14	27	43	52	55	67