



**Solenoid valve 2/2 way N.C.
With pilot control
Explosion proof - Ex mb II T 4**

21WN3QDV130

÷

21WN9QDV500

PRESENTATION:

S.V. with pilot control for interception of fluids compatible with the construction materials.

A minimum operational pressure of 0,2 bar is required.

The materials used and the tests carried out ensure maximum reliability and duration.

USE: Potentially explosive atmospheres

PIPES: 3/8 NPT - 2 NPT

COIL: Series TNA - Ø 14,5
(For characteristic see catalogue page)

Max. allowable pressure (PS)

3/8 NPT - 1 NPT 25 bar

1 1/4 NPT - 2 NPT 16 bar

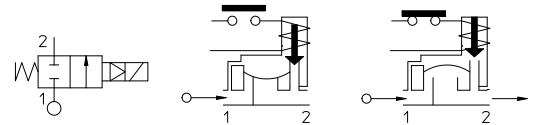
Temperature max. medium + 80°C

Ambient temperature:

See coils catalogue page for its compatibility.



Gaskets	Temperature		Medium
V=FKM (fluoroelastomer)	- 10°C	+ 80°C	Mineral oils (2°E), gasoline gas oil
F=H-NBR (hydrogenated nitrile)	- 20°C	+ 80°C	Air, inert gas, water R 134a, R 404a



For seals other than FKM replace the letter "V" with the ones corresponding to the other seals. E.I. 21WN3QDF130.

Pipe ANSI/ASME BI.20.1	Code	Max viscosity		Ø mm	Kv l/mn	Power watt	Pressure		
		cSt	°E				min bar	M.O.P.D. AC bar DC bar	
3/8 NPT	21WN3QDV130	12	~ 2	13	60	(See TNA coils catalogue page)	0,2	16	16
1/2 NPT	21WN4QDV130				70				
3/4 NPT	21WN5QDV190			19	140				
1 NPT	21WN6QDV250			25	190				
1 1/4 NPT	21WN7QDV350			35	400				
1 1/2 NPT	21WN8QDV400			40	520				
2 NPT	21WN9QDV500			50	750				



(ATEX/ITA/09/063
According to Directive 94/9/CE ATEX)



CE Approval
(Pressure Equipment Directive 97/23/CE)
for S.V. 21WN7÷21WN9

Note.

Available on request and with minimum quantities.

The "ODE" reserves the right to carry out technical and aesthetic modifications without prior notification.

MATERIALS:

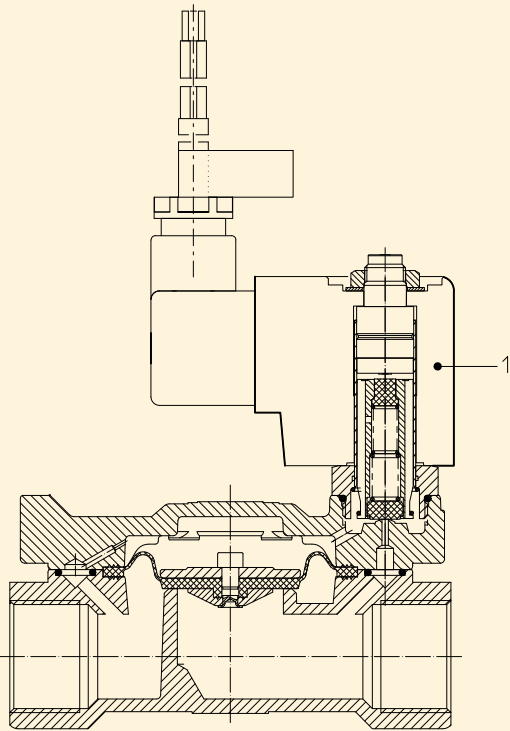
Body	Brass - UNI EN 12165 CW617N
Armature tube	Stainless steel AISI series 300
Fixed core	Stainless steel AISI series 400
Plunger	Stainless steel AISI series 400
Phase displacement ring	Copper - Cu 99,9%
Spring	Stainless steel AISI series 300
Seal	Standard: V=FKM On request: F=H-NBR
Orifice	Brass - UNI EN 12165 CW617N

FEATURES:

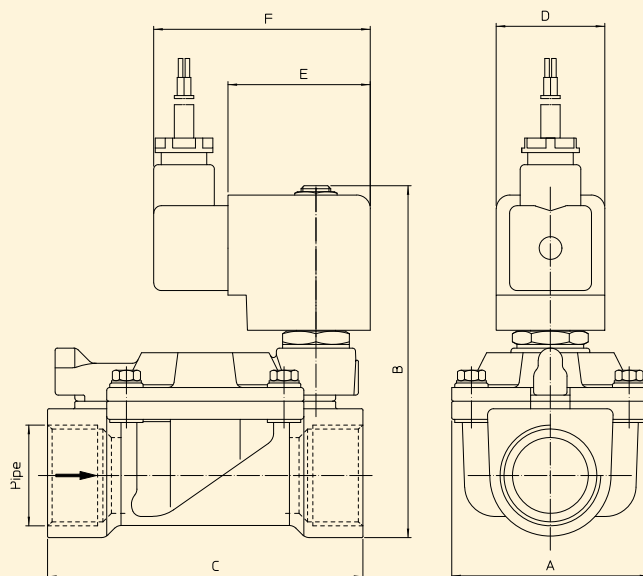
Protection degree	IP 65 EN 60529 (DIN 40050)
--------------------------	----------------------------

SPARE PARTS:

- Coil:**
See coils list



DIMENSIONS:



Type	Pipe	A mm	B mm	C mm
21WN3QDV130	3/8 NPT	40	97	60
21WN4QDV130	1/2 NPT			66
21WN5QDV190	3/4 NPT	65	105	104
21WN6QDV250	1 NPT			112
21WN7QDV350	1 1/4 NPT	98	125	144
21WN8QDV400	1 1/2 NPT			
21WN9QDV500	2 NPT	118	141	172

COIL TYPE	DIMENSIONS		
	D mm	E mm	F mm
T	36	47	81