



**Solenoid valve 2/2 way N.C.
With pilot control
Explosion proof - Ex m II T 4**

**21W3QDV190
÷
21W7QDV500**

PRESENTATION:

S.V. with pilot control for interception of fluids compatible with the construction materials.

A minimum operational pressure of 0,2 bar is required.

The materials used and the tests carried out ensure maximum reliability and duration.

USE: Potentially explosive atmospheres

PIPES: G 3/4 - G 2

COIL: Series TNA - Ø 14,5
(For characteristic see catalogue page)



Max. allowable pressure (PS)

G 3/4 - G 1 25 bar

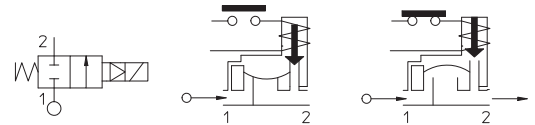
G 1 1/4 - G 2 16 bar

Temperature max. medium + 80°C

Ambient temperature:

See coils catalogue page for its compatibility.

Gaskets	Temperature		Medium
	- 10°C	+ 80°C	
V=FKM (fluoroelastomer)	- 10°C	+ 80°C	Mineral oils (2°E), gasoline gas oil
F=H-NBR (hydrogenated nitrile)	- 20°C	+ 80°C	Air, inert gas, water R 134a, R 404a



For seals other than FKM replace the letter "V" with the ones corresponding to the other seals. E.I. 21W3QDF190.

Pipe ISO 228/1	Code	Max viscosity		Ø mm	Kv l/mn	Power watt	Pressure		
		cSt	°E				min bar	M.O.P.D.	
								AC bar	DC bar
G 3/4	21W3QDV190	12	~ 2	19	140	0,2	16	16	
G 1	21W4QDV250			25	190				
G 1 1/4	21W5QDV350			35	400				
G 1 1/2	21W6QDV400			40	520				
G 2	21W7QDV500			50	750				

(See TNA coils catalogue page)



(ATEX/ITA/09/063
According to Directive 94/9/CE ATEX)



CE Approval
(Pressure Equipment Directive 97/23/CE)
for S.V. 21W5÷21W7

The "ODE" reserves the right to carry out technical and aesthetic modifications without prior notification.

MATERIALS:

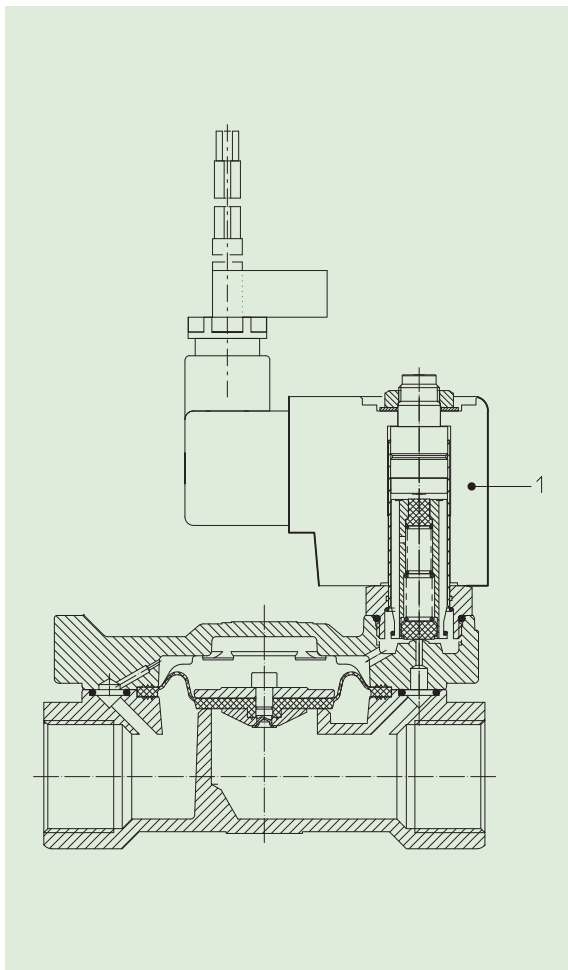
Body	Brass - UNI EN 12165 CW617N
Armature tube	Stainless steel AISI series 300
Fixed core	Stainless steel AISI series 400
Plunger	Stainless steel AISI series 400
Phase displacement ring	Copper - Cu 99,9%
Spring	Stainless steel AISI series 300
Seal	Standard: V=FKM On request: F=H-NBR
Orifice	Brass - UNI EN 12165 CW617N

FEATURES:

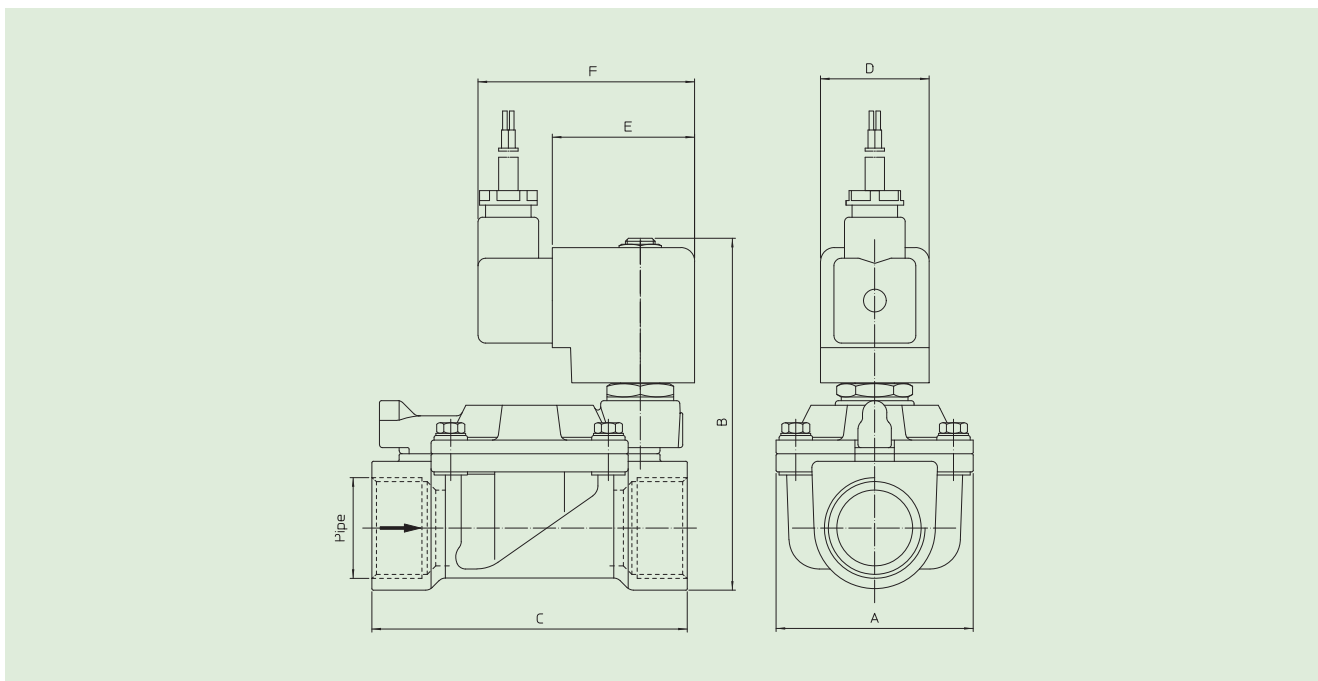
Protection degree	IP 65 EN 60529 (DIN 40050)
--------------------------	----------------------------

SPARE PARTS:

- Coil:**
See TNA coils list



DIMENSIONS:



Type	Pipe ISO 228/1	A mm	B mm	C mm
21W3QDV190	G 3/4	65	111	104
21W4QDV250	G 1		118	
21W5QDV350	G 1 1/4	98	131	144
21W6QDV400	G 1 1/2			
21W7QDV500	G 2	118	147	172

COIL TYPE	DIMENSIONS		
	D mm	E mm	F mm
T	36	47	71