



# Proportional solenoid valve 2/2 way N.C. - Direct acting

21A2KCV25-08

## PRESENTATION:

Solenoid valve designed for a fluid output proportional to voltage change.  
Minimum operational pressure is not required.  
Mounting in any position.  
Material used and tests carried out ensure reliability and long life time.

## TECHNICAL FEATURES:

Max. allowable pressure (PS) 40 bar

Ambient temperature:

See coils catalogue page for its compatibility.

Proportional response features:

Hysteresis < 5%  
Repeatability < 3%  
Sensitivity < 2%

Tensions range: 0-24 VDC

24 VDC impulse range modulation (600 ÷ 800 Hz),

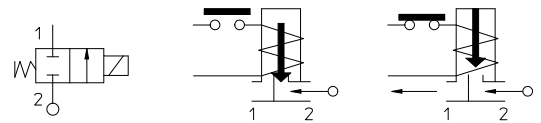
(see general information:proportional S.V. operation).

These solenoid valves are not suitable for stagnating fluids, or for fluids that being subject to evaporation may deposit solid, calcareous or similar residues.



PIPES: G 1/4

COILS: 8W - Ø 13  
BDA - BSA 155°C (class F)  
BDV 180°C (class H)  
12W - Ø 13  
UDA 155°C (class F)

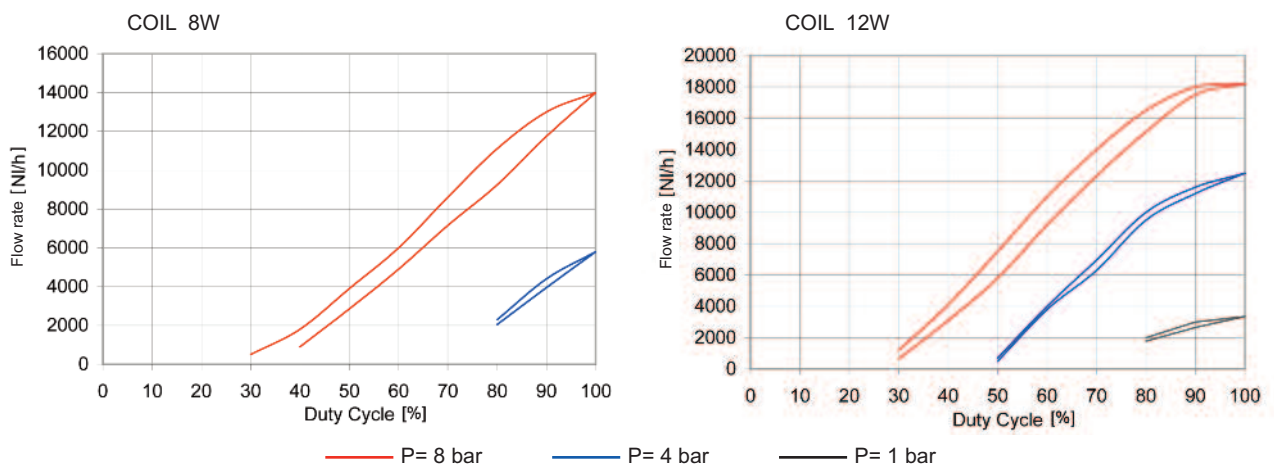


**COIL HOUSING AND COIL FORMER MATERIAL ARE MADE BY 100% VIRGIN MATERIAL.**

Gaskets	Temperature		Medium
V=FKM (fluoroelastomer)	- 10°C	+140°C	Water, inert gas, mineral oils (3°E), gasoline

Pipe ISO 228/1	Code	Max viscosity		Ø mm	Kv l/mn	Power watt	Pressure		
		cSt	°E				min bar	M.O.P.D. AC bar DC bar	
G 1/4	21A2KCV25-08	21	~ 3	2,5	3,2	8 12	0	-	8

SOLENOID VALVE CALIBRATED AT 8 bar - Flow rate in air



**Note** Also available with brass body without lead.

The "ODE" reserves the right to carry out technical and aesthetic modifications without prior notification.

### MATERIALS:

<b>Body</b>	Brass - UNI EN 12165 CW617N
<b>Armature tube</b>	Stainless steel AISI series 300
<b>Fixed core</b>	Stainless steel AISI series 400
<b>Plunger</b>	Stainless steel AISI series 400
<b>Spring</b>	Stainless steel AISI series 300
<b>Ring guide</b>	PTFE
<b>Orifice: Insert slot</b>	Stainless steel AISI series 300
<b>Seal</b>	V=FKM
<b>Gasket</b>	V=FKM

### On request:

<b>Connector</b>	Pg 9 or Pg 11
<b>Connector conformity</b>	ISO 4400

### FEATURES:

<b>Electrical conformity</b>	IEC 335
<b>Protection degree</b>	IP 65 EN 60529 (DIN 40050) with coil fitted by connector.

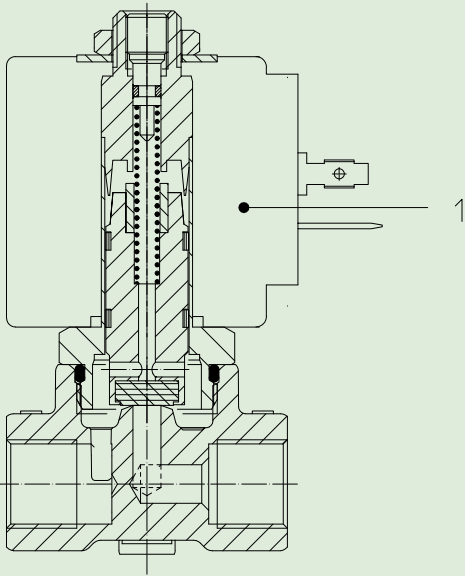
### SPARE PARTS:

#### 1. Coil:

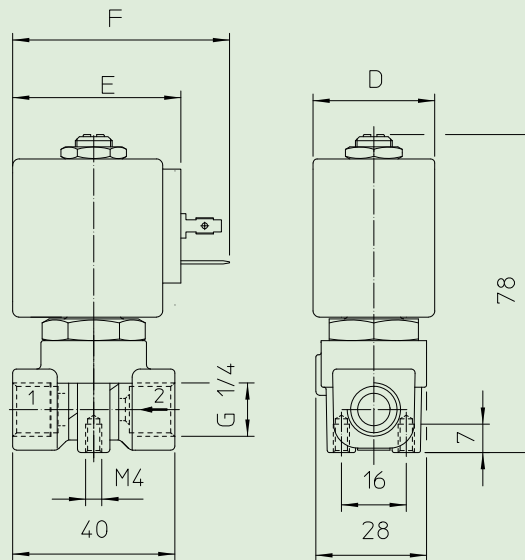
See coils list

### KIT:

KT130KCV55-I



### DIMENSIONS:



COIL TYPE	POWER ABSORPTION	DIMENSIONS		
	W ---	D mm	E mm	F mm
B	8	30	42	54
U	12	36	48	60