



Solenoid valve 2/2 way N.C. Combined operation

21HT5M0Y160

PRESENTATION:

Combined operation S.V. for interception of fluids compatibles with the construction materials.

Minimum operational pressure is not required.

The materials used and the tests carried out ensure maximum reliability and duration

USE: Automation, Vacuum packaging
Heating

PIPES: G 3/4

COIL:

8W - Ø 13	
BDA - BSA	155°C (class F)
BDV	180°C (class H)
12W - Ø 13	
UDA	155°C (class F)
14W - Ø 13	
GDH - GDV	180°C (class H)

COIL HOUSING AND COIL FORMER MATERIAL ARE MADE BY 100% VIRGIN MATERIAL.

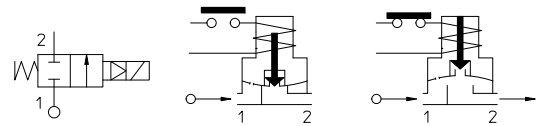
Max. allowable pressure (PS) 16 bar

See coils catalogue page for its compatibility.



Gaskets	Temperature		Medium
Y=NBR (nitrile rubber) + PA (polyamide)	- 10°C	+ 90°C	Water,Air, gasoline, fuel oils, inert gas
V=FKM+ PA (fluorelastomer+poliamiyde)	- 10°C	+ 140°C	Mineral oils (2°E), gasoline gas oil

For seals other than NBR+PA replace the letter "Y" with the ones corresponding to the other seals. E.I. 21HT5M0V160.

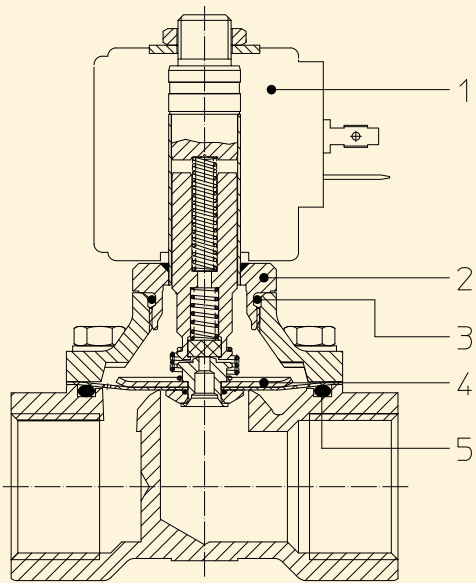


Pipe ISO 228/1	Code	Max viscosity		Ø mm	Kv l/mn	Power (watt)	Pressure		
		cSt	°E				min	M.O.P.D.	
							bar	AC bar	DC bar
G 3/4	21HT5M0Y160	12	~ 2	16	40	8	0	-	1,5
						12			11
						14			14

Note.

Available on request and with minimum quantities.

The "ODE" reserves the right to carry out technical and aesthetic modifications without prior notification.



MATERIALS:

Body	Brass - UNI EN 12165 CW617N
Armature tube	Stainless steel AISI series 300
Fixed core	Stainless steel AISI series 400
Plunger	Stainless steel AISI series 400
Spring	Stainless steel AISI series 300
Seal	Standard: V=FKM+PA On request : Y=NBR+PA
Orifice	Brass - UNI EN 12165 CW617N

On request:

Connector	Pg 9 or Pg 11
Connector conformity	ISO 4400

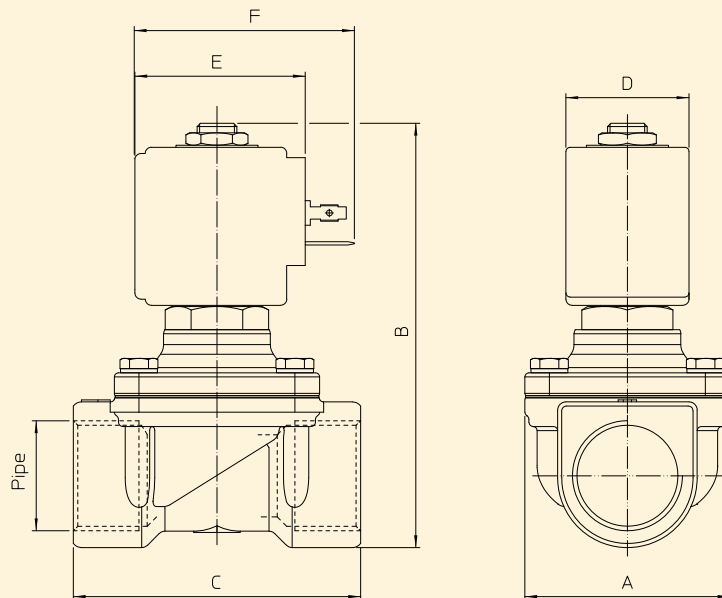
FEATURES:

Electrical conformity	IEC 335
Protection degree	IP 65 EN 60529 (DIN 40050) with coil fitted by connector

SPARE PARTS:

- Coil:**
See coils list
- Complete armature tube without gasket:**
Code R451637
- Gasket O-Ring:**
Code R990000/G
- Complete diaphragm with plunger:**
Code R452125/B
- Gasket O-Ring:**
Code R990105/B

DIMENSIONS:



Type	Pipe ISO 228/1	A mm	B mm	C mm
21HT5M0Y160	G 3/4	50	102	70

COIL TYPE	POWER ABSORPTION			DIMENSIONS		
	W ==	Hold VA ~	Inrush VA ~	D mm	E mm	F mm
B	8	14,5	25	30	42	54
U	12	23	35	36	48	60
G	14	27	43	52	55	67