



Solenoid valve 2/2 way N.C. With pilot control - Latching coils

21W3KB190
21W7KB500
Latching coils

PRESENTATION:

S.V. with pilot control for interception of fluids compatible with the construction materials.

Opening is obtained by a 50 msec pulse, and closing by another 50 msec pulse, with reversed polarity.

A minimum operational pressure of 0,2 bar is required.

The materials used and the tests carried out ensure maximum reliability and duration.

USE: Automation
Heating

PIPES: G 3/4 - G 2

COILS: BDA2X006LS 155°C(class F)
BDA2X009LS 155°C(class F)
BDA2X012LS 155°C(class F)
BDA05009LS 155°C(class F)
BDA05012LS 155°C(class F)
BDA05024LS 155°C(class F)

**COIL HOUSING AND COIL FORMER MATERIAL ARE
MADE BY 100% VIRGIN MATERIAL.**

Max. allowable pressure (PS)

G 3/4 - G 1 25 bar

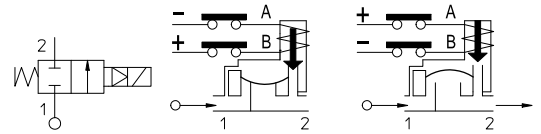
G 1 1/4 - G 2 16 bar

Ambient temperature:

See coils catalogue page for its compatibility.



Gaskets	Temperature	Medium
B =NBR (nitrile rubber)	- 10°C +90°C	Air, inert gas, water
E =EPDM (ethylene-propylene)	- 10°C +140°C	Water, low pressure steam
V =FKM (fluoroelastomer)	- 10°C + 140°C	Mineral oils (2°E), gasoline gas oil



For seals other than NBR replace the letter "B" with the ones corresponding to the other seals. E.I. 21W3KV190.

Pipe ISO 228/1	Code	Coils code	Voltages VDC	Max viscosity		Ø mm	Kv l/mn	Power watt	Pressure	
				cSt	°E				min bar	M.O.P.D. DC bar
G 3/4 and G 1	21W3KB190 and 21W4KB250	BDA2X006LS	6	12	~ 2	19	140	2,5	0,2	16
		BDA2X009LS	9							
		BDA2X012LS	12							
		BDA05009LS	9	12	~ 2	25	190	5		
		BDA05012LS	12							
		BDA05024LS	24							
G 1 1/4 and G 1 1/2 and G 2	21W5KB350 e 21W6KB400 and 21W7KB500	BDA2X006LS	6	12	~ 2	35	400	2,5	0,2	10
		BDA2X009LS	9							
		BDA2X012LS	12			40	520	5		
		BDA05009LS	9							
		BDA05012LS	12	12	~ 2					
		BDA05024LS	24							



CE Approval

(Pressure Equipment Directive 97/23/CE)

for S.V. 21W5÷21W7

Note

Available on request and with minimum quantities.

The "ODE" reserves the right to carry out technical and aesthetic modifications without prior notification.

MATERIALS:

Body	Brass - UNI EN 12165 CW617N
Armature tube	Stainless steel AISI series 300
Fixed core	Stainless steel AISI series 400
Plunger	Stainless steel AISI series 400
Phase displacement ring	Copper - Cu 99,9%
Spring	Stainless steel AISI series 300
Shutter	Standard: B=NBR On request: E=EPDM V=FKM
Orifice	Brass - UNI EN 12165 CW617N

On request:
Connector Pg 9 or Pg 11
Connector conformity ISO 4400

FEATURES:

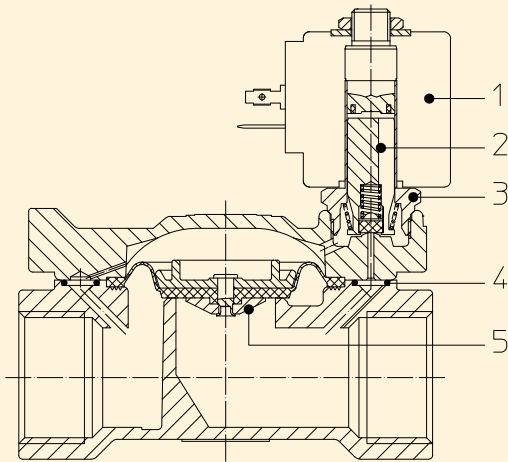
Electrical conformity IEC 335
Protection degree IP 65 EN 60529 (DIN 40050)
 with coil fitted by connector.

SPARE PARTS:

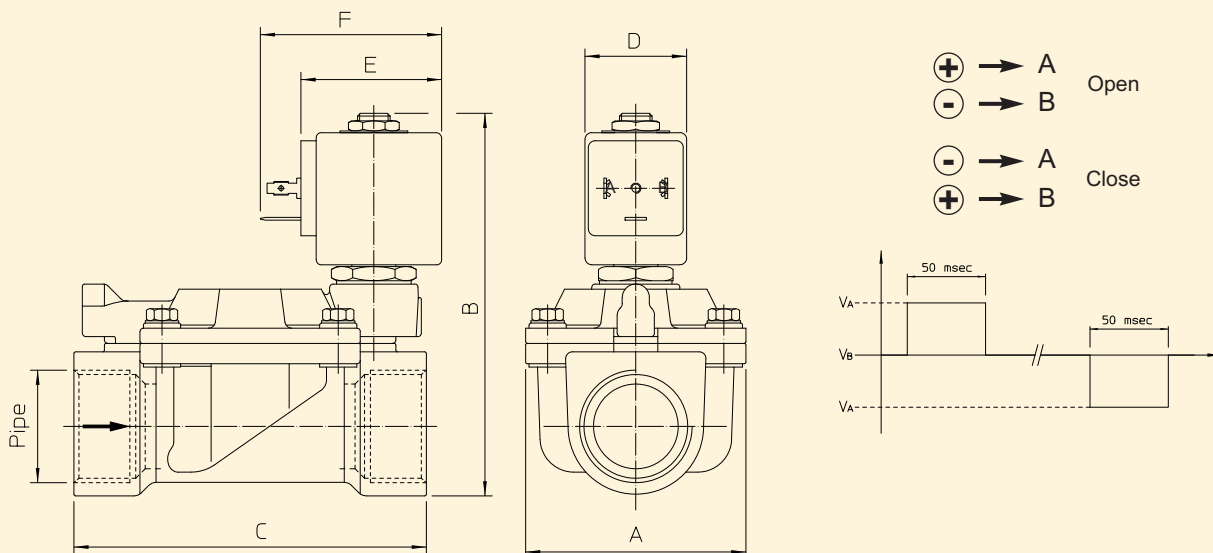
- | | |
|-----------------------------------|----------------------------------|
| 1. Coil: | G 2 Cod. R990081/B |
| BDA2X006LS | |
| BDA2X009LS | 5. Complete diaphragm: |
| BDA2X012LS | G 3/4-G 1 Code R450431/B |
| BDA05009LS | G 1 1/4 - G 1 1/2 Code R450466/B |
| BDA05012LS | G 2 Code R450432/B |
| BDA05024LS | |
| 2. Complete plunger: | KT130KB30-A=2+3 |
| Code R450886/B | |
| 3. Complete armature tube: | MAINTENANCE KIT: |
| Code R450606 | KTG0W3KB19=2+4+5 |
| 4. Gasket O-Ring: | |
| G 3/4 - G 1 Code R990002/B | |
| G 1 1/4 - G 1 1/2 Code R990005/B | |

KIT:

MAINTENANCE KIT:



DIMENSIONS:



Type	Pipe ISO 228/1	A mm	B mm	C mm	D mm	E mm	F mm
21W3KB190	G 3/4	65	105	104	30	42	54
21W4KB250	G 1		112				
21W5KB350	G 1 1/4	98	125	144			
21W6KB400	G 1 1/2						
21W7KB500	G 2	118	141	172			