



# Solenoid valve 2/2 way N.C. With pilot control - Latching coils

21WA3K0B130  
21WA4K0B130  
Latching coils

## PRESENTATION:

S.V. with pilot control for interception of fluids compatible with the construction materials.

Opening is obtained by a 50 msec pulse, and closing by another 50 msec pulse, with reversed polarity.

A minimum operational pressure of 0,2 bar is required.

The materials used and the tests carried out ensure maximum reliability and duration.

**USE:** Automation  
Heating

**PIPES:** G 3/8 - G 1/2

**COILS:** BDA2X006LS 155°C(class F)  
BDA2X009LS 155°C(class F)  
BDA2X012LS 155°C(class F)  
BDA05024LS 155°C(class F)

**COIL HOUSING AND COIL FORMER MATERIAL ARE  
MADE BY 100% VIRGIN MATERIAL.**

Max. allowable pressure (PS) 20 bar

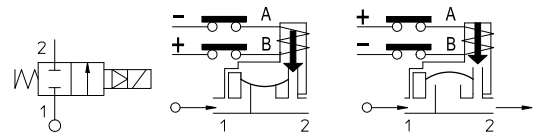
Ambient temperature:

See coils catalogue page for its compatibility.



Gaskets	Temperature		Medium
<b>B</b> =NBR (nitrile rubber)	- 10°C	+90°C	Air, inert gas, water
<b>V</b> = FKM (fluoroelastomer)	- 10°C	+ 140°C	Mineral oils (2°E),gasoline gas oil

For seals other than NBR replace the letter "B" with the ones corresponding to the other seals. E.I. 21WA3K0V130.



Pipe ISO 228/1	Code	Coils code	Voltages VDC	Max viscosity		Ø mm	Kv l/mn	Power watt	Pressure	
				cSt	°E				min bar	M.O.P.D. DC bar
G 3/8	21WA3K0B130	BDA2X006LS	6	12	~ 2	13	60	2,5	0,2	16
		BDA2X009LS	9							
		BDA2X012LS	12							
		BDA05024LS	24							
G 1/2	21WA4K0B130	BDA2X006LS	6	12	~ 2	13	70	2,5	0,2	16
		BDA2X009LS	9							
		BDA2X012LS	12							
		BDA05024LS	24							

## Note

Available on request and with minimum quantities.

The "ODE" reserves the right to carry out technical and aesthetic modifications without prior notification.

## MATERIALS:

<b>Body</b>	Brass - UNI EN 12165 CW617N
<b>Armature tube</b>	Stainless steel AISI series 300
<b>Fixed core</b>	Stainless steel AISI series 400
<b>Plunger</b>	Stainless steel AISI series 400
<b>Phase displacement ring</b>	Copper - Cu 99,9%
<b>Spring</b>	Stainless steel AISI series 300
<b>Shutter</b>	Standard B=NBR On request: V=FKM
<b>Orifice</b>	Brass - UNI EN 12165 CW617N

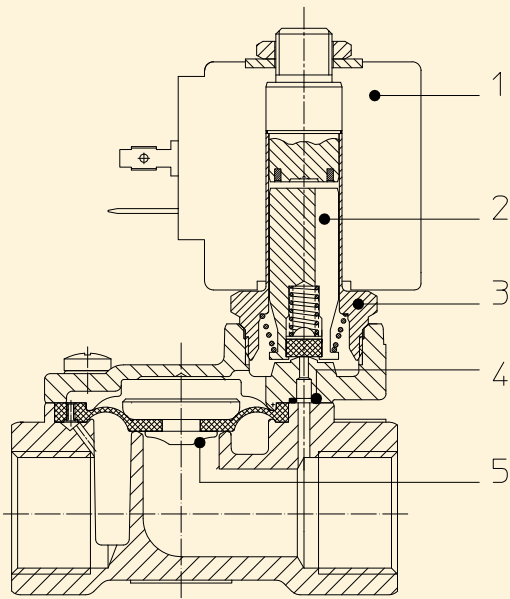
<b>On request:</b>	Pg 9 or Pg 11
<b>Connector</b>	ISO 4400
<b>Connector conformity</b>	

## FEATURES:

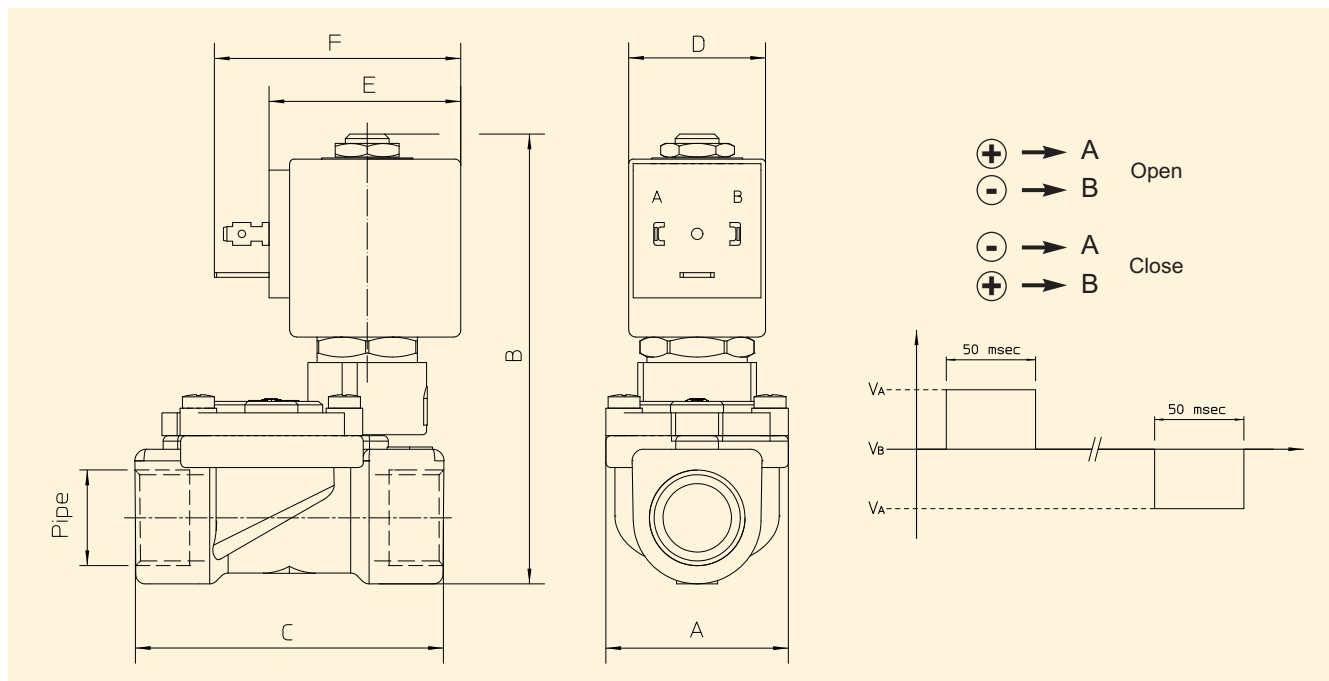
<b>Electrical conformity</b>	IEC 335
<b>Protection degree</b>	IP 65 EN 60529 (DIN 40050) with coil fitted by connector.

## SPARE PARTS:

- |   |  |
|---|--|
| <b>1. Coil:</b><br>BDA2X006LS<br>BDA2X009LS<br>BDA2X012LS<br>BDA05024LS | <b>5. Complete diaphragm:</b><br>Code 452186/B |
| <b>2. Complete plunger:</b><br>Code R450886/B                           | <b>KIT:</b><br>KT130KB30-A=2+3                 |
| <b>3. Complete armature tube:</b><br>Code R450606                       | <b>MAINTENANCE KIT:</b><br>KTGWA3K0B13=2+4+5   |
| <b>4. Gasket O-Ring:</b><br>Code R990300/B                              |  |



## DIMENSIONS:



Type	Pipe ISO 228/1	A mm	B mm	C mm
21WA3K0B130	G 3/8	40	97	60
21WA4K0B130	G 1/2			66