



# Solenoid valve 2/2 way N.C. With pilot control

21WN3K0B130

÷

21WN9KB500

## PRESENTATION:

S.V. with pilot control for interception of fluids compatible with the construction materials.

A minimum operational pressure of 0,2 bar is required.

The materials used and the tests carried out ensure maximum reliability and duration.

**USE:** Automation  
Heating

**PIPES:** 3/8 NPT - 2 NPT

**COILS:** 8W - Ø 13  
BDA - BSA 155°C (class F)  
BDV 180°C (class H)

**COIL HOUSING AND COIL FORMER MATERIAL ARE MADE BY 100% VIRGIN MATERIAL.**

Max. allowable pressure (PS)

3/8 NPT - 1/2 NPT 25 bar

3/4 NPT - 1 NPT 23 bar

1 1/4 NPT - 2 NPT 16 bar

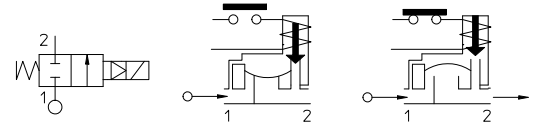
Ambient temperature:

See coils catalogue page for its compatibility.



Gaskets	Temperature		Medium
<b>B</b> =NBR (nitrile rubber)	- 10°C	+ 90°C	Air, inert gas, water
<b>E</b> =EPDM (ethylene-propylene)	- 10°C	+140°C	Water, low pressure steam
<b>V</b> =FKM (fluoroelastomer)	- 10°C	+140°C	Mineral oils (2°E), gasoline gas oil

For seals other than NBR replace the letter "B" with the ones corresponding to the other seals. E.I. 21WN5KV190.



Pipe ANSI/ASME BI.20.1	Code	Max viscosity		Ø mm	Kv l/mn	Power watt	Pressure		
		cSt	°E				min bar	M.O.P.D. AC bar DC bar	
3/8 NPT	21WN3K0B130	12	~ 2	13	60	8	0,2	16	16
1/2 NPT	21WN4K0B130				70				
3/4 NPT	21WN5KB190			140					
1 NPT	21WN6KB250			190					
1 1/4 NPT	21WN7KB350			400					
1 1/2 NPT	21WN8KB400			520					
2 NPT	21WN9KB500			750	10			10	



**CE Approval**

(Pressure Equipment Directive 97/23/CE)

for S.V. 21WN7÷21WN9

The "ODE" reserves the right to carry out technical and aesthetic modifications without prior notification.

## MATERIALS:

<b>Body</b>	Brass - UNI EN 12165 CW617N
<b>Armature tube</b>	Stainless steel AISI series 300
<b>Fixed core</b>	Stainless steel AISI series 400
<b>Plunger</b>	Stainless steel AISI series 400
<b>Phase displacement ring</b>	Copper - Cu 99,9%
<b>Spring</b>	Stainless steel AISI series 300
<b>Seal</b>	Standard: B=NBR On request: E=EPDM V=FKM
<b>Orifice</b>	Brass - UNI EN 12165 CW617N

## On request:

<b>Connector</b>	Pg 9 or Pg 11
<b>Connector conformity</b>	ISO 4400

## FEATURES:

<b>Electrical conformity</b>	IEC 335
<b>Protection degree</b>	IP 65 EN 60529 (DIN 40050) with coil fitted by connector.

## SPARE PARTS:

<b>1. Coil:</b>	1 1/4-1 1/2 NPT Code R450466/B
See coils list	2 NPT Code R450432/B

## 2. Complete plunger:

Code R450886/B

## 3. Complete armature tube:

Code R450606

## 4. Gasket O-Ring:

3/8 -1/2 NPT Code R990300/B

3/4 -1 NPT Code R990002/B

1 1/4 -1 1/2 NPT Code R990005/B

2 NPT Code R990081/B

## 5. Complete diaphragm:

3/8 -1/2 NPT Code R452186/B

3/4 - 1 NPT Code R450431/B

## KIT:

KT130KB30-A=2+3

## MAINTENANCE KIT:

3/8 - 1/2 NPT

KTGWA3K0B13=2+4+5

3/4 - 1 NPT

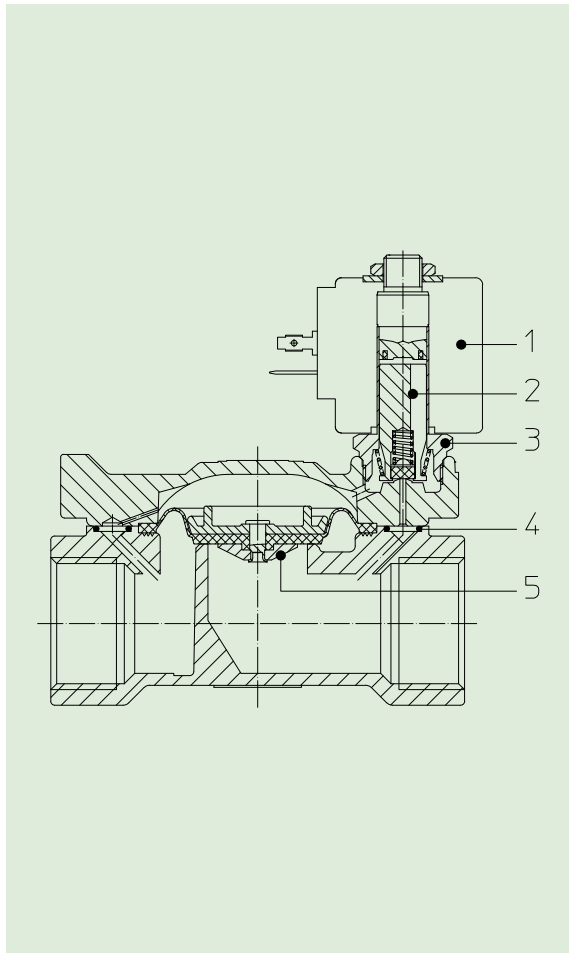
KTG0W3KB19=2+4+5

1 1/4 - 1 1/2 NPT

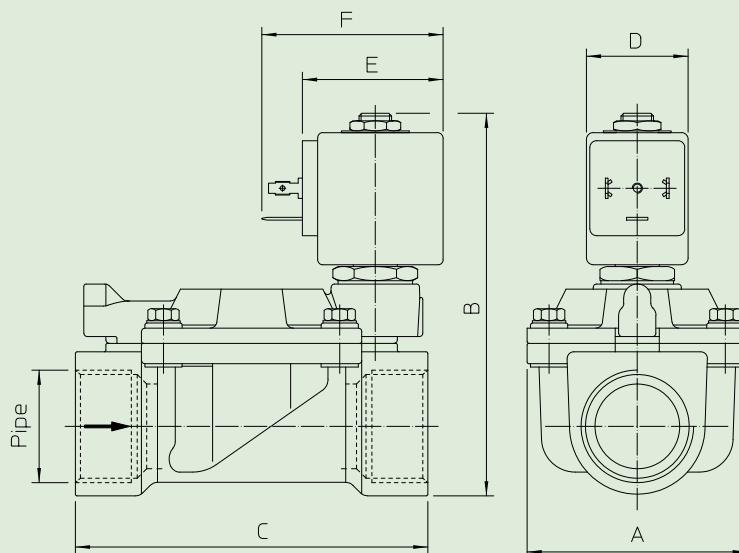
KTG0W5KB35=2+4+5

2 NPT

KTG0W7KB50=2+4+5



## DIMENSIONS:



Type	Pipe	A mm	B mm	C mm
21WN3K0B130	3/8 NPT	40	97	60
21WN4K0B130	1/2 NPT			66
21WN5KB190	3/4 NPT	65	105	104
21WN6KB250	1 NPT			
21WN7KB350	1 1/4 NPT	98	125	144
21WN8KB400	1 1/2 NPT			
21WN9KB500	2 NPT	118	141	172

COIL TYPE	POWER ABSORPTION			DIMENSIONS		
	W ---	Hold VA ~	Inrush VA ~	D mm	E mm	F mm
B	8	14,5	25	30	42	54