



# Relief valves

**400290/  
400999/**

Code	Inlet connection	Outlet connection	Orifice Ø mm	Lenght mm
400290/	G 1/8 Male	G 1/8 Male	3,2	44
400999/	G 1/8 Female	G 1/8 Male	3,2	42

## CODING SYSTEM:

Relief valves are identified by a letter determining the sealing material, and by figures determining the setting pressure .Ex. : **V14** = relief valve fitted by FKM, set at 14 bar.

## Pressure relief valve G 1/8 male inlet - G 1/8 male outlet

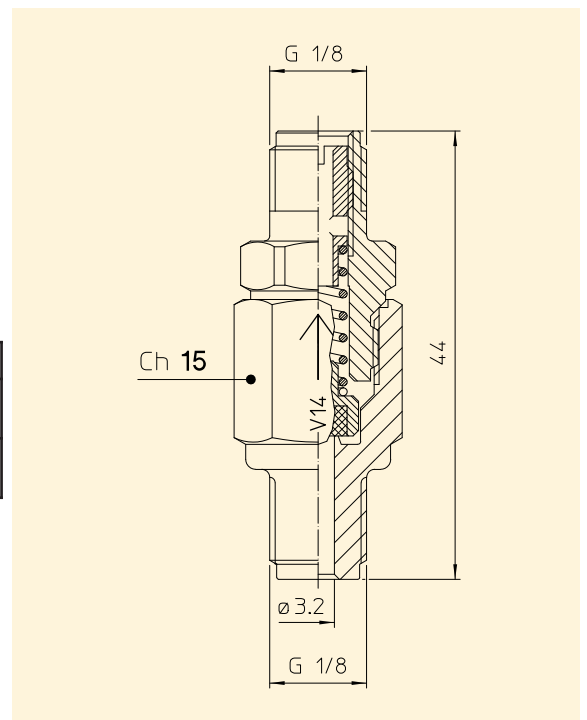
**400290/**

### MATERIALS:

<b>Inlet connection</b>	Brass - UNI EN 12164 CW614N
<b>Outlet connection</b>	Brass - UNI EN 12164 CW614N
<b>Adjusting screw</b>	Brass - UNI EN 12164 CW614N
<b>Spring</b>	Stainless steel AISI series 300
<b>Gasket support</b>	Brass - UNI EN 12164 CW614N
<b>Gasket</b>	FKM (fluoro-carbon elastomer) NEOPRENE

Gasket	Temperature		Medium
F=H-NBR	- 30°C	+130°C	R 134a, R 404a
V=FKM (fluoroelastomer)	- 10°C	+ 140°C	Air, Water, Mineral oils (2°E),gasoline gas oil

Pipe	Code	Orifice Ø mm	Setting pressure ± 5%
G 1/8 Male	400290/ $\frac{V}{F}$ 5	3,2	5
	400290/ $\frac{V}{F}$ 6		6
	400290/ $\frac{V}{F}$ 8		8
	400290/ $\frac{V}{F}$ 8,5		8,5
	400290/ $\frac{V}{F}$ 10		10
	400290/ $\frac{V}{F}$ 12		12
	400290/ $\frac{V}{F}$ 14		14
	400290/ $\frac{V}{F}$ 15		15
	400290/ $\frac{V}{F}$ 16		16
	400290/ $\frac{V}{F}$ 20		20
	400290/ $\frac{V}{F}$ 22		22



The "ODE " reserves the right to carry out technical and aesthetic modifications without prior notification.

# Relief valves



## Pressure relief valve G 1/8 female inlet - G 1/8 male outlet

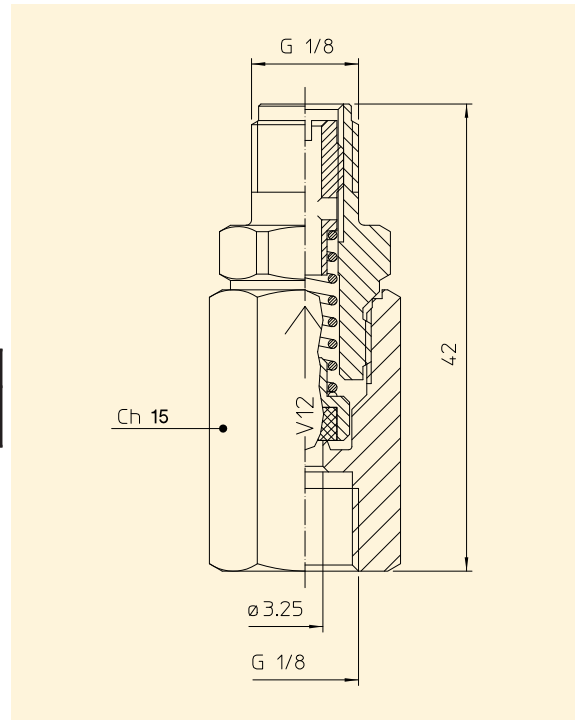
400999/

### MATERIALS:

<b>Inlet connection</b>	Brass - UNI EN 12164 CW614N
<b>Outlet connection</b>	Brass - UNI EN 12164 CW614N
<b>Adjusting screw</b>	Brass - UNI EN 12164 CW614N
<b>Spring</b>	Stainless steel AISI series 300
<b>Gasket support</b>	Brass - UNI EN 12164 CW614N
<b>Gasket</b>	FKM (fluoro-carbon elastomer)

Gasket	Temperature		Medium
V=FKM (fluoroelastomer)	- 10°C	+140°C	Air, Water, Mineral oils (2°E), gasoline gas oil

Pipe	Code	Orifice Ø mm	Setting pressure ± 5%
G 1/8 Female	400999/ V 12	3,2	12



The "ODE" reserves the right to carry out technical and aesthetic modifications without prior notification.