



COILS 22 mm x Ø 10 mm

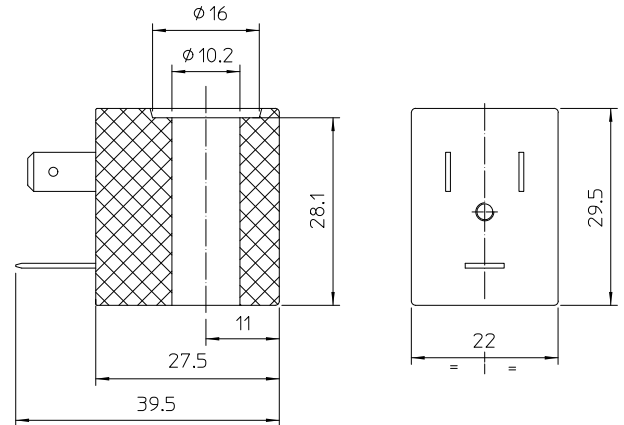
LBA05024AS
 ÷
LBV08024HU

COIL

LBA Molding material: PA - Black polyamide - class F (155°C)
LBF Molding material: PPS - Black poliphenylensulphide - class H (180°C)
LBV Molding material: PET - Black Polyethylene - class H (180°C)

Winding: In class H
Electrical connections: With connector EN 175301-803 whellbase 11
 Protection degree IP 65 EN 60529 (DIN 40050)

COIL HOUSING AND COIL FORMER MATERIAL ARE MADE BY 100% VIRGIN MATERIAL.



MATERIAL ON STOCK:

Code	Power	Voltages Frequency	ED	Ambient temperature	Approvals
LBA05024AS	10 VA	24 ~ 50	100%	- 10 + 40°C	CE
LBA05024CS	5 W	24 ==	100%	- 10 + 40°C	CE
LBA05230AS	10 VA	230 ~ 50	100%	- 10 + 40°C	CE
LBF05024BU	10 VA	24 ~ 60	100%	- 10 + 40°C	CE - UL
LBV05024AV	11,5 VA	24 ~ 50	100%	- 20 + 60°C	CE - VDE
LBV05024BW	12,5 VA	24 ~ 60	100%	- 20 + 60°C	CE - UL - CSA
LBV05024CY	7 W	24 ==	100%	- 20 + 60°C	CE - UL - CSA - VDE
LBV05110AY	10 VA	110 ~ 50 120 ~ 60	100%	- 20 + 60°C	CE - UL - CSA - VDE
LBV05110BU	13,5 VA	110 ~ 60	100%	- 20 + 40°C	CE - UL
LBV05220BU	13,5 VA	220 ~ 60	100%	- 20 + 40°C	CE - UL
LBV05230AY	11,5 VA	230 ~ 50 240 ~ 60	100%	- 20 + 60°C	CE - UL - CSA - VDE
LBV08024HU	10 W	24 ==	50% (1)	- 20 + 40°C	CE - UL

NOMINAL VOLTAGE DC + 10% - 5%
TOLERANCES: AC +10% - 15%

(1) Standard cycle time 1 minute, for different requirements please contact our commercial offices.
 Other voltages and power absorptions available on demand and for quantities.

The "ODE" reserves the right to carry out technical and aesthetic modifications without prior notification.