



Vibration Pump

PX50

APPLICATION:

Coffee Machines,
Floor Cleaning Machines,
Steam Ironing Stations

SPECIFICATIONS:

Outlet	G 1/8
Pressure	15 bar
Fluids	Tap Water / Distilled Water
Max Ambient Temperature	35°C
Max Fluid Temperature	35°C
Dead head Pressure	See graph
Free Flow Rate	See graph
Terminals	6.3mm x 0.8mm Faston type
Endurance	18000 cycles (at 8-10 bar) (base on 1 min ON, 1 min OFF)
Coil Encapsulation	850°C GWI
Not require External Type Diode	



Proven sealing system for reliable and long life application

Code	Tensione Frequenza	ON/OFF min.	Classe	Consumo	Approvazioni
TPX50120V-A1M-N06R	120 ~ 60	1/1	F (155°C)	0,78 A	LFGB - NSF - UL
P992124-AP	230 ~ 50	1,5/1	H (180°C)	53 W	CE - NSF - VDE

MATERIALS:

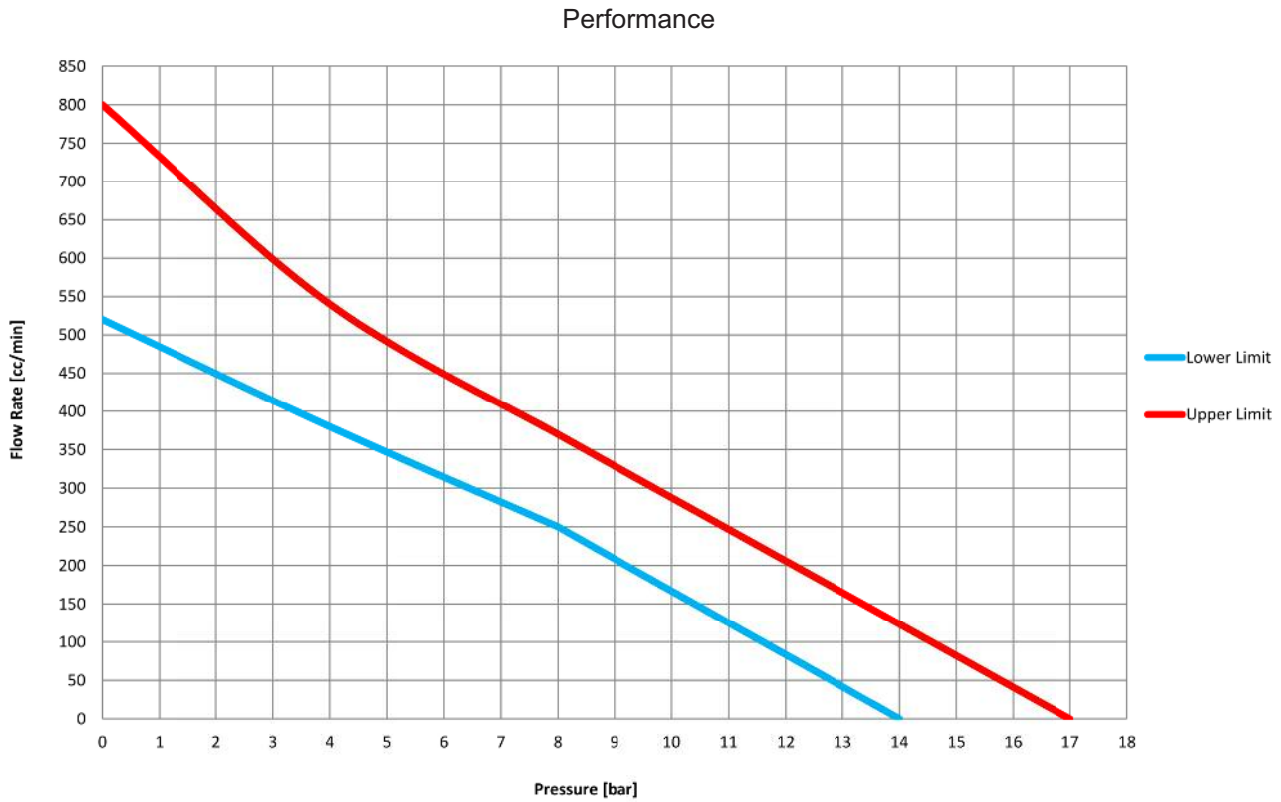
Plunger	Stainless Steel series 400
Spring	Stainless Steel series 300
No return valve	NBR
Seal	EPDM/Silicon
Plastic Parts	PA66 Based Polymer

Codice d'ordine:

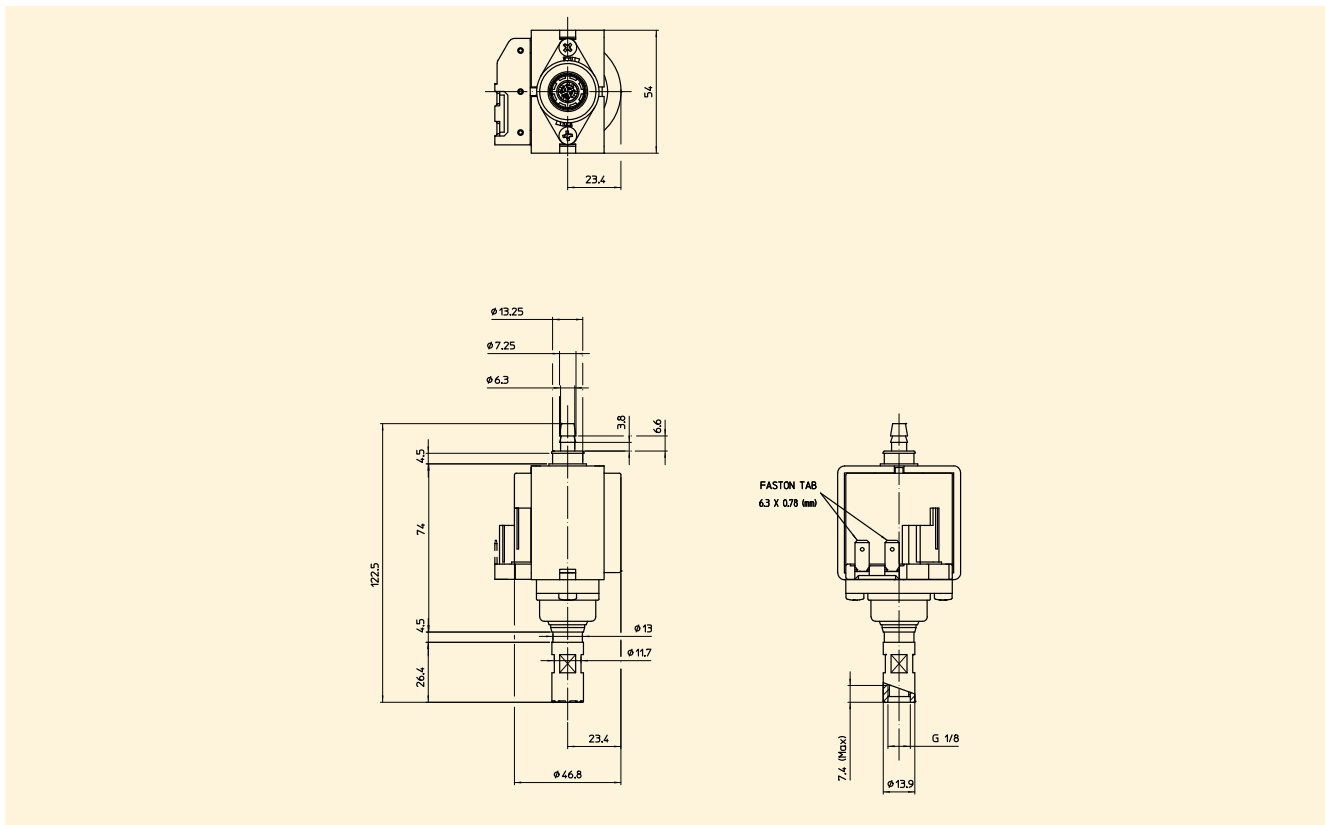
TPX50120V-A1M-N06R (120V 60Hz)
P992124-AP (230V 50Hz)

The "ODE" reserves the right to carry out and aesthetic modifications without prior notification.

PERFORMANCE CURVE:



DIMENSIONS:



Note: continuous dry-run would damage the unit permanently.